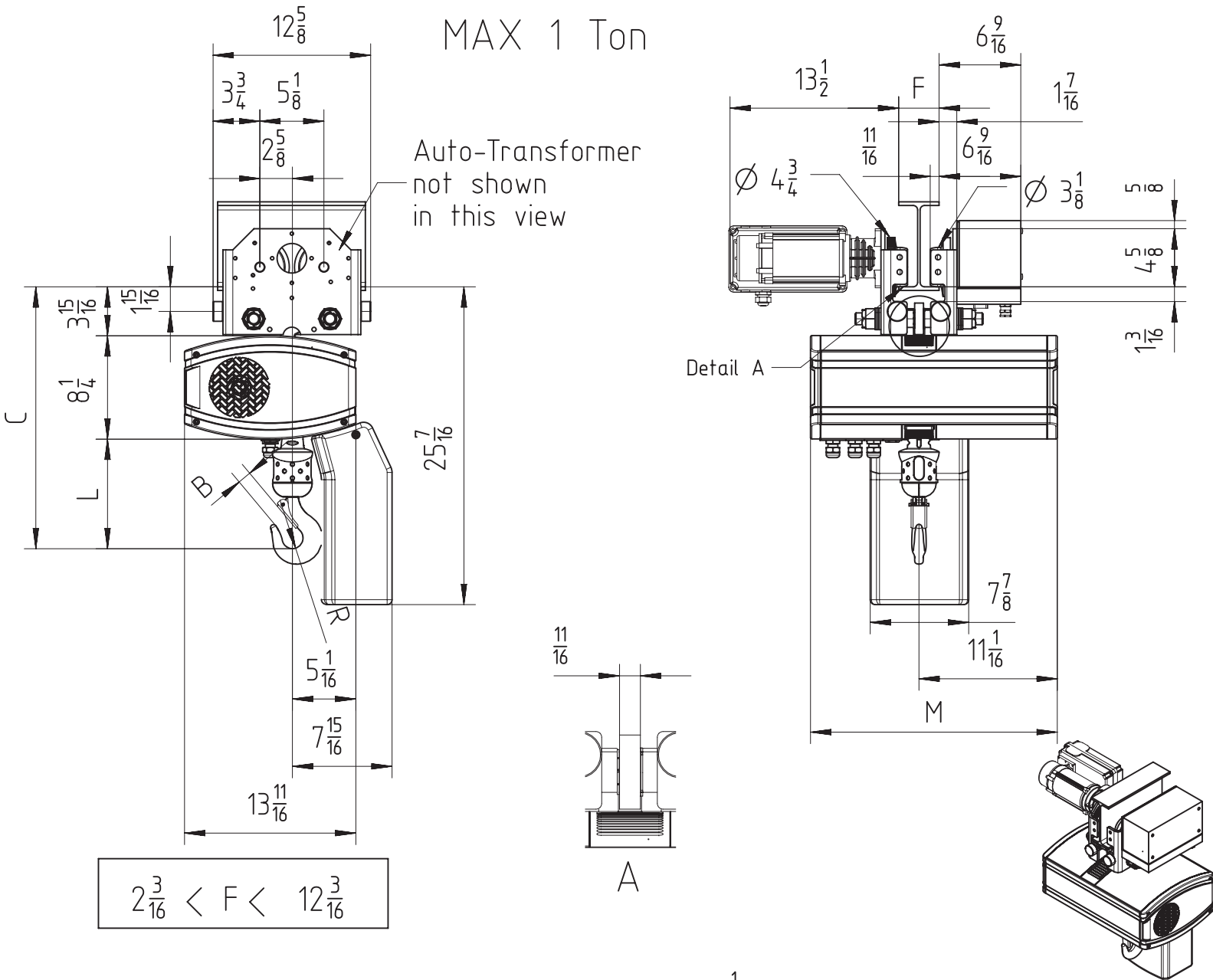




Fixed to inverter travel trolley TMU2 - 1 Fall (perpendicular version)

MAX 1 Ton



Note: For hoisting speed 63 ft/min and higher, add 2½ inches to dimension C and L.

Chain Size	Max load Ton	Chain bag capacity ft	Dimensions in inches				Chain weight per foot lb/ft	Estimated Unit weight w/o chain lb			
			B	C	L	R		LK	LK Inverter	GLS	DB
7x20	1	32.8	1 1/8	20 15/16	8 3/4	13 1/16	0.75	185.8	197.9	195.6	191.8
Dimension M in inches								19 3/4	24 3/16	23 1/4	21 1/4

GLS: Gear Limit Switch  
DB : Double Brake