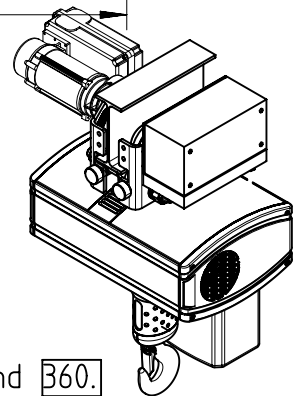
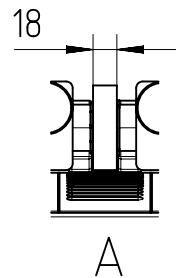
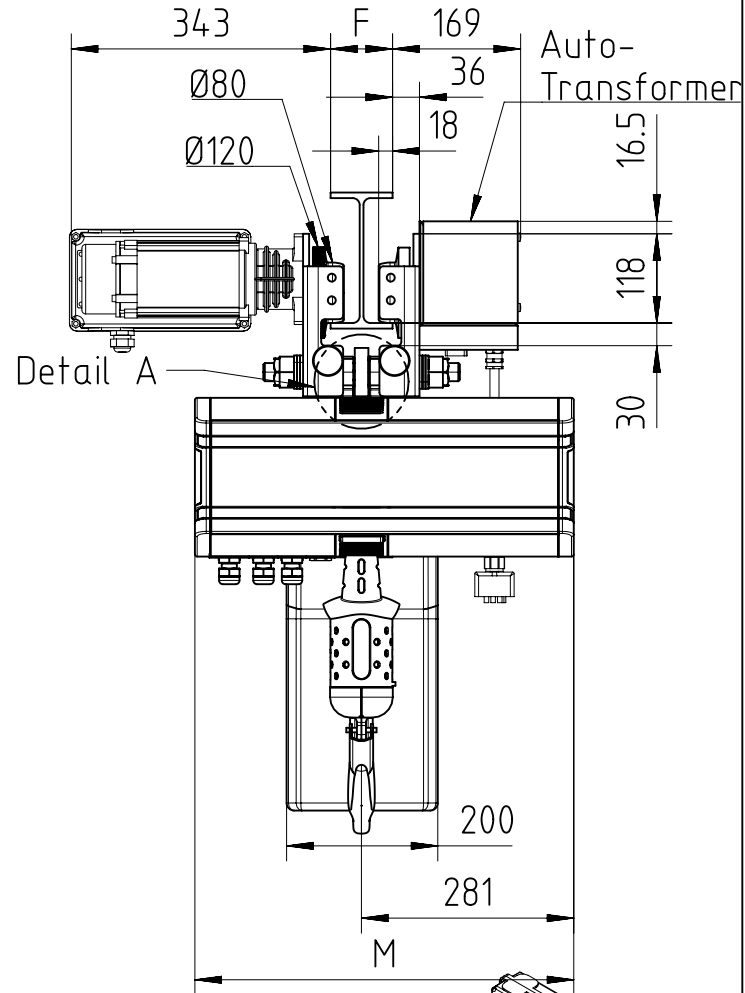
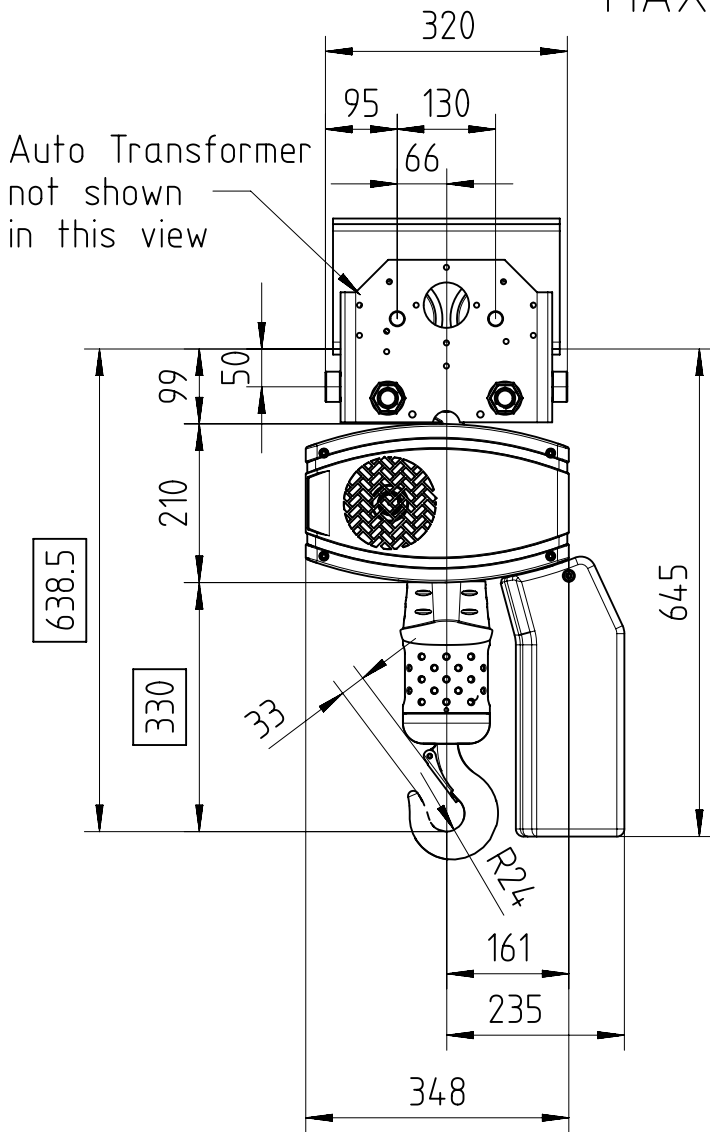


Fixed to inverter or two-speed travel trolley TMU2 - 2 falls (perpendicular version)

MAX 2000 Kg



$$55 < F < 310$$

Note: For hoisting speed 16 m/min and higher, add 63 mm to dimension 669 and 360.

Chain Size	Max load kg	Chain bag capacity m	Weight per meter Kg/m	Estimated unit weight w/o chain Kg			
				LK	LK Inverter	GLS	DB
7X20	2000	10	1.10	90.4	94.5	93.6	91.7
Dimension M in mm				501	615	590	539

GLS: Gear Limit Switch
DB : Double Brake