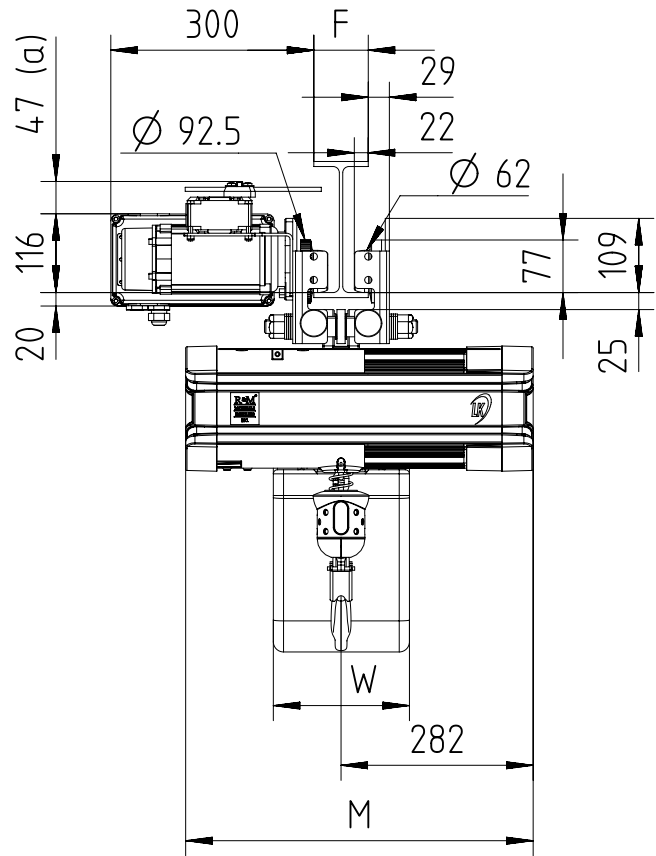
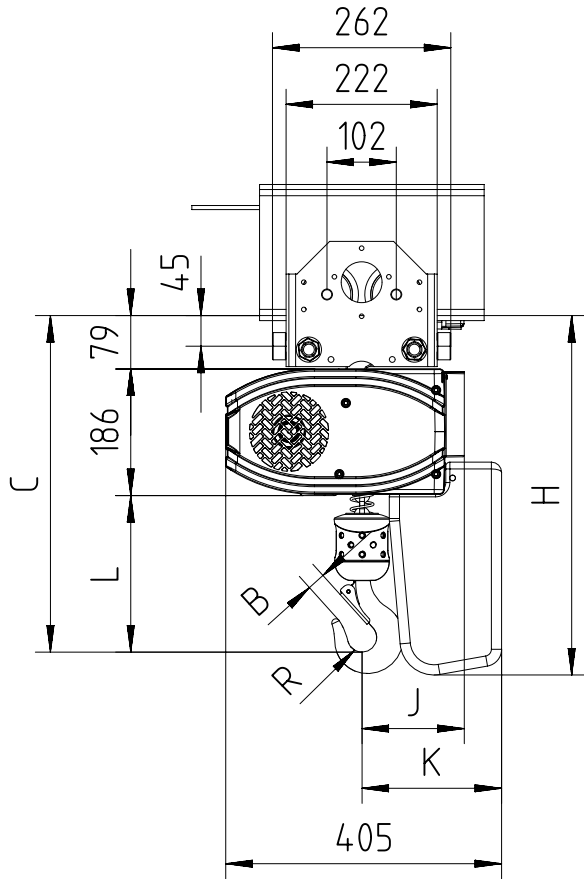


Fixed to electric travel trolley C1 max 1000kg (perpendicular version)


 $55 < F < 310$

(a) Note: Trolley limit switch is optional.
 Note: In case of 2-fall hoist, coupling suspension is rotated by 180°.
 Note: Mini. radius of curve for trolley 1000 kg is 2m.

| Chain Size (mm) | Max load (kg) | Falls | Chain bag capacity (m) | Dimensions (mm) | | | | | | | | | | Weight of chain (kg/m) | Estimated weight of hoist incl. trolley w/o chain (kg) | | | |
|-----------------|---------------|-------|------------------------|-----------------|-----|-----|----|----------|-----|-----|-----|-----|--------------------|------------------------|--|-------------|-----|----|
| | | | | B | C | L | R | J | K | H | W | M | | | LK | LK Invertet | GLS | DB |
| | | | | | | | | | | | | LK | LK Invertet/DB/GLS | | | | | |
| 7X20 | 1000 | 1 | 6 | 27 | 495 | 230 | 21 | 150 | 205 | 528 | 200 | 510 | 641 | 1.1 | 75 | 84 | 77 | 84 |
| | | | 16 | | | | | | | 669 | | | | | | | | |
| | | | 30 | | | | | | | 739 | | | | | | | | |
| | 1000 | 2 | 6 (*) | 33 | 565 | 300 | 24 | 154 (**) | 236 | 528 | 200 | 510 | 641 | 1.1 | 70 | 79 | 72 | 79 |
| | | | 16 (*) | | | | | | | 669 | | | | | | | | |
| | | | 30 (*) | | | | | | | 739 | | | | | | | | |

GLS: Gear Limit Switch
 DB : Double Brake

(*) In case of 2-fall hoist, available lifting height is half of the chain bag maximum capacity.
 (**) In case of 2-falls hoist, Counter weight is not needed.