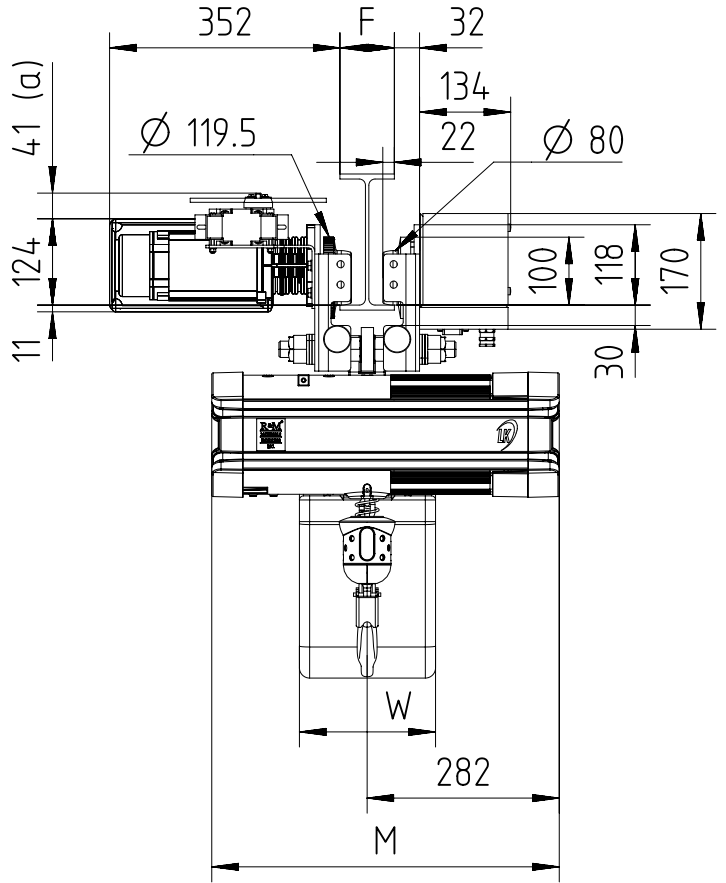
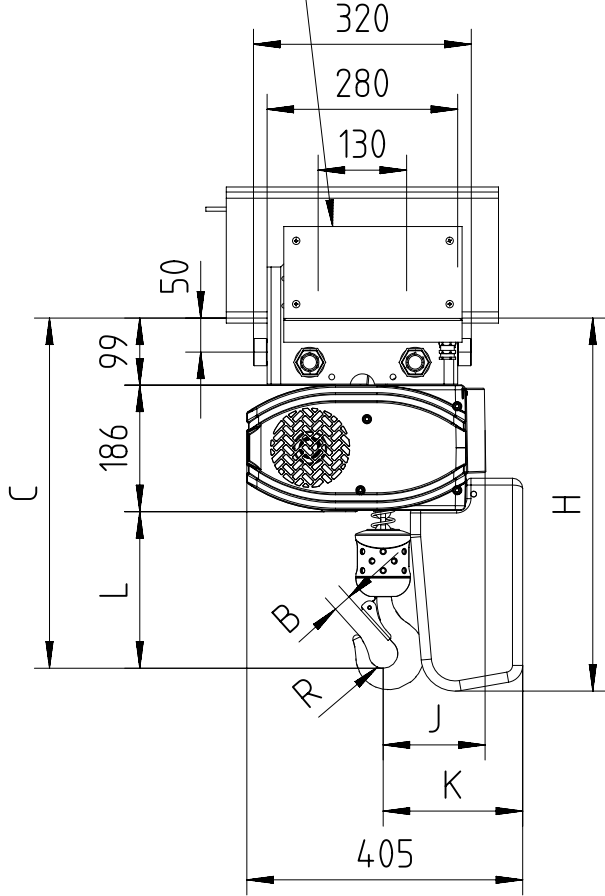


Fixed to electric travel trolley C2 max 2000kg (perpendicular version)

(b) Auto-transformer



64 < F < 310

(a) Note: Trolley limit switch is optional.
 (b) If the voltage is less than 380V or more than 480V, the trolley motor needs an autotransformer as drawn.
 Note: In case of 2-fall hoist, coupling suspension is rotated by 180°.
 Note: Mini. radius of curve for trolley 2000 kg is 2m.

Chain Size (mm)	Max load (kg)	Falls	Chain bag capacity (m)	Dimensions (mm)										Weight of chain (kg/m)	Estimated weight of hoist incl. trolley w/o chain (kg)			
				B	C	L	R	J	K	H	W	M			LK	LK Inverter	GLS	DB
												LK	LK Inverter/DB/GLS					
7X20	1250	1	6	27	515	230	21	150	205	517	200	510	641	1.1	104	113	106	113
			16							658								
			30							728								
	2000	2	6 (*)	33	585	300	24	154 (**)	236	517	200	510	641	1.1	99	108	101	108
			16 (*)							658								
			30 (*)							728								

GLS: Gear Limit Switch
 DB : Double Brake

(*) In case of 2-fall hoist, available lifting height is half of the chain bag maximum capacity.
 (**) In case of 2-fall hoist, Counter weight is not needed.