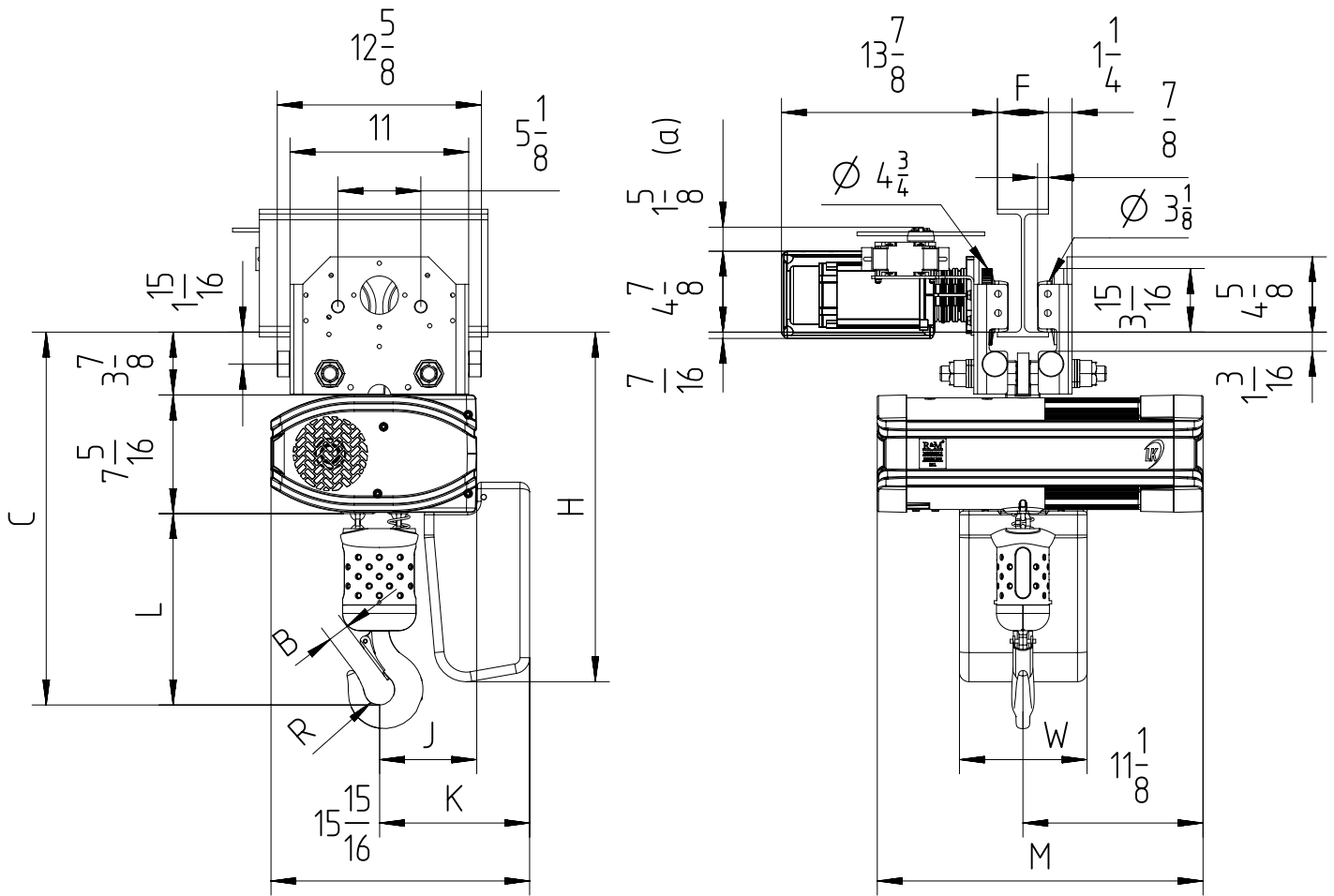


Fixed to electric travel trolley C2 max 2 TON (perpendicular version)



$$2\frac{1}{2} < F < 12\frac{3}{16}$$

(a) Note: Trolley limit switch is optional.
 Note: In case of 1-fall hoist, coupling suspension is rotated by 180°.
 Note: Mini. radius of curve for trolley 2 TON is 6.56ft.

Chain Size (mm)	Max load (TON)	Falls	Chain bag capacity (ft)	Dimensions (inch)										Weight of chain (lb/ft)	Estimated weight of hoist incl. trolley w/o chain (lb)			
				B	C	L	R	J	K	H	W	M			LK	LK Inverter	GLS	DB
												LK	LK Inverter/DB/GLS					
7X20	1 $\frac{1}{4}$	1	19	1	20 $\frac{1}{4}$	9	7 $\frac{7}{8}$	5 $\frac{7}{8}$ (**)	8 $\frac{1}{8}$	21 $\frac{5}{8}$	7 $\frac{7}{8}$	20 $\frac{1}{16}$	25 $\frac{1}{4}$	0.75	196	216	201	216
			52							27 $\frac{1}{8}$								
			98							29 $\frac{7}{8}$								
	2	2	19 (*)	1 $\frac{1}{4}$	23	11 $\frac{3}{4}$	1	6	9 $\frac{1}{4}$	21 $\frac{5}{8}$	7 $\frac{7}{8}$	20 $\frac{1}{16}$	25 $\frac{1}{4}$	0.75	185	205	190	205
			52 (*)							27 $\frac{1}{8}$								
			98 (*)							29 $\frac{7}{8}$								

GLS: Gear Limit Switch
 DB : Double Brake

(*) In case of 2-fall hoist, available lifting height is half of the chain bag maximum capacity.
 (**) In case of 1-fall hoist, Counter weight is needed.