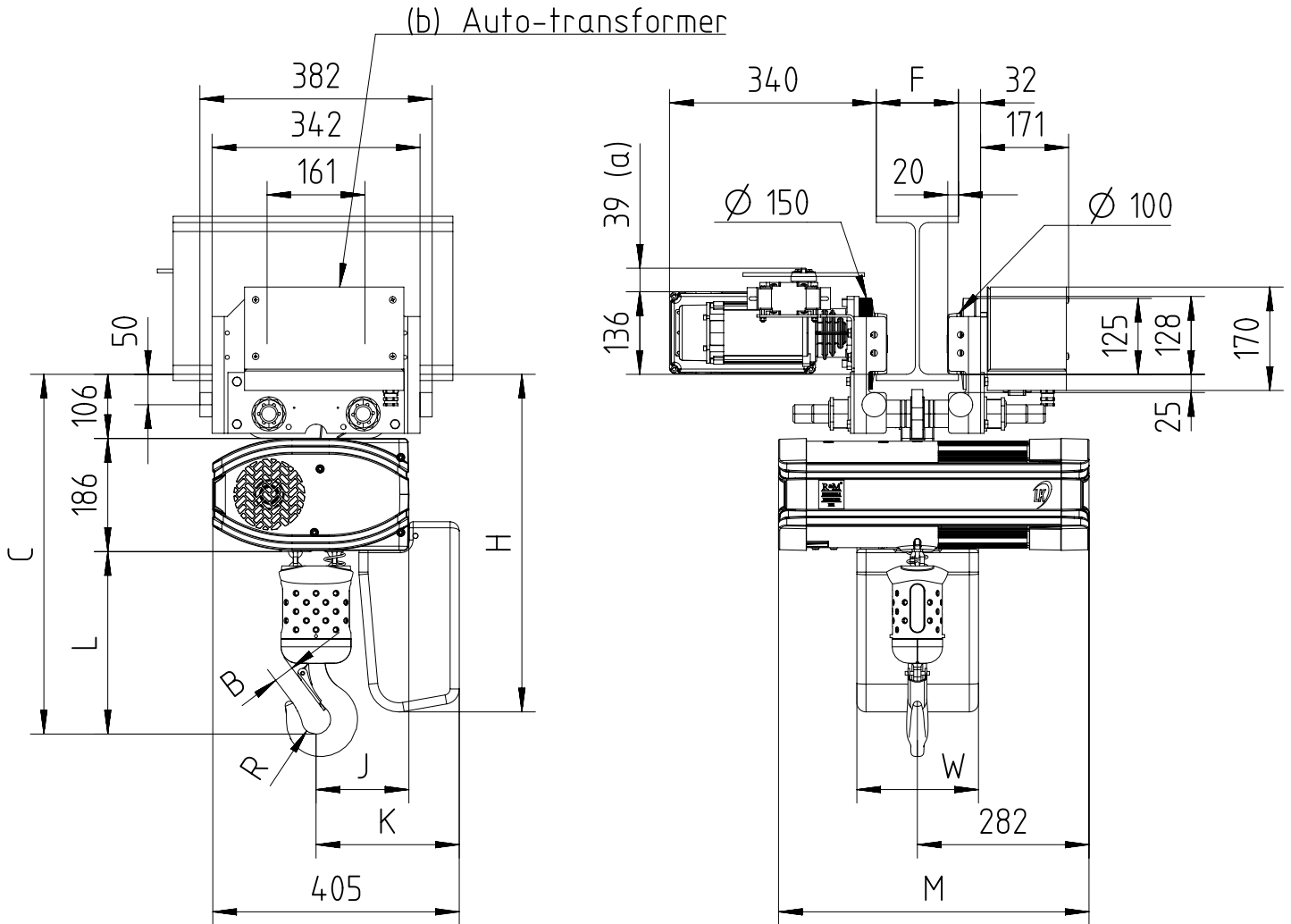


Fixed to electric travel trolley C3 max 2500kg (perpendicular version)


 $82 < F < 310$

(a) Note: Trolley limit switch is optional.
 (b) If the voltage is less than 380V or more than 480V, the trolley motor needs an autotransformer as drawn.
 Note: Mini. radius of curve for trolley 2500 kg is 2m.

Chain Size (mm)	Max load (kg)	Falls	Chain bag capacity (m)	Dimensions (mm)										Weight of chain (kg/m)	Estimated weight of hoist incl. trolley w/o chain (kg)			
				B	C	L	R	J	K	H	W	M			LK	LK Inverter	GLS	DB
												LK	LK Inverter/DB/GLS					
7X20	2500	2	6 (*)	33	592	300	24	154	236	555	200	490	622	1.1	120	129	122	129
			16 (*)							696								
			30 (*)							766								

 GLS: Gear Limit Switch
 DB: Double Brake

(*) In case of 2-fall hoist, available lifting height is half of the chain bag maximum capacity