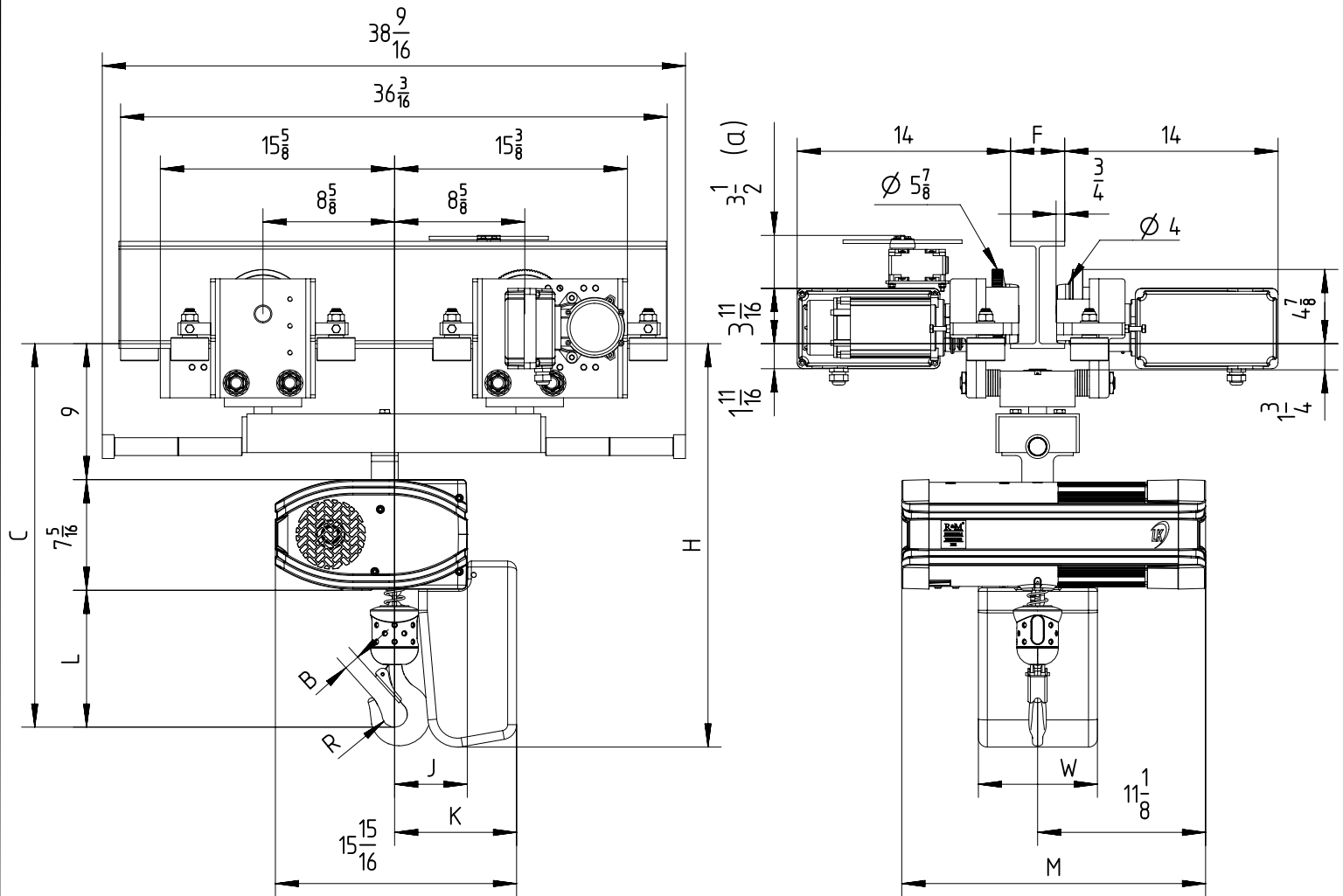


With electric travel swivelling trolley max 2.5 TON (perpendicular version)



$$4 < F < 12\frac{1}{4}$$

(a) Note: Trolley limit switch is optional.  
 Note: Mini. radius of curve for trolley 2.5 TON is 2.62ft.

Chain Size (mm)	Max load (TON)	Falls	Chain bag capacity (ft)	Dimensions (inch)										Weight of chain (lb/ft)	Estimated weight of hoist incl. trolley w/o chain (lb)			
				B	C	L	R	J	K	H	W	M			LK	LK Inverter	GLS	DB
												LK	LK Inverter/DB/GLS					
7X20	$1\frac{1}{4}$	1	19	1	$25\frac{3}{8}$	9	$\frac{7}{8}$	$4\frac{3}{4}$	$8\frac{1}{8}$	$26\frac{3}{4}$	$7\frac{7}{8}$	$20\frac{1}{16}$	$25\frac{1}{4}$	0.75	304	324	309	324
			52							$32\frac{1}{4}$								
			98							35								
	$2\frac{1}{2}$	2	19 (*)	$1\frac{1}{4}$	$28\frac{1}{4}$	$11\frac{3}{4}$	1	6	$9\frac{1}{4}$	$26\frac{3}{4}$	$7\frac{7}{8}$	$20\frac{1}{16}$	$25\frac{1}{4}$	0.75	313	333	317	333
			52 (*)							$32\frac{1}{4}$								
			98 (*)							35								

GLS: Gear Limit Switch  
 DB: Double Brake

(\*) In case of 2-fall hoist, available lifting height is half of the chain bag maximum capacity