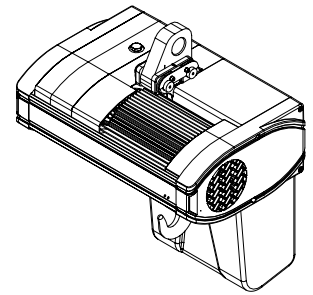
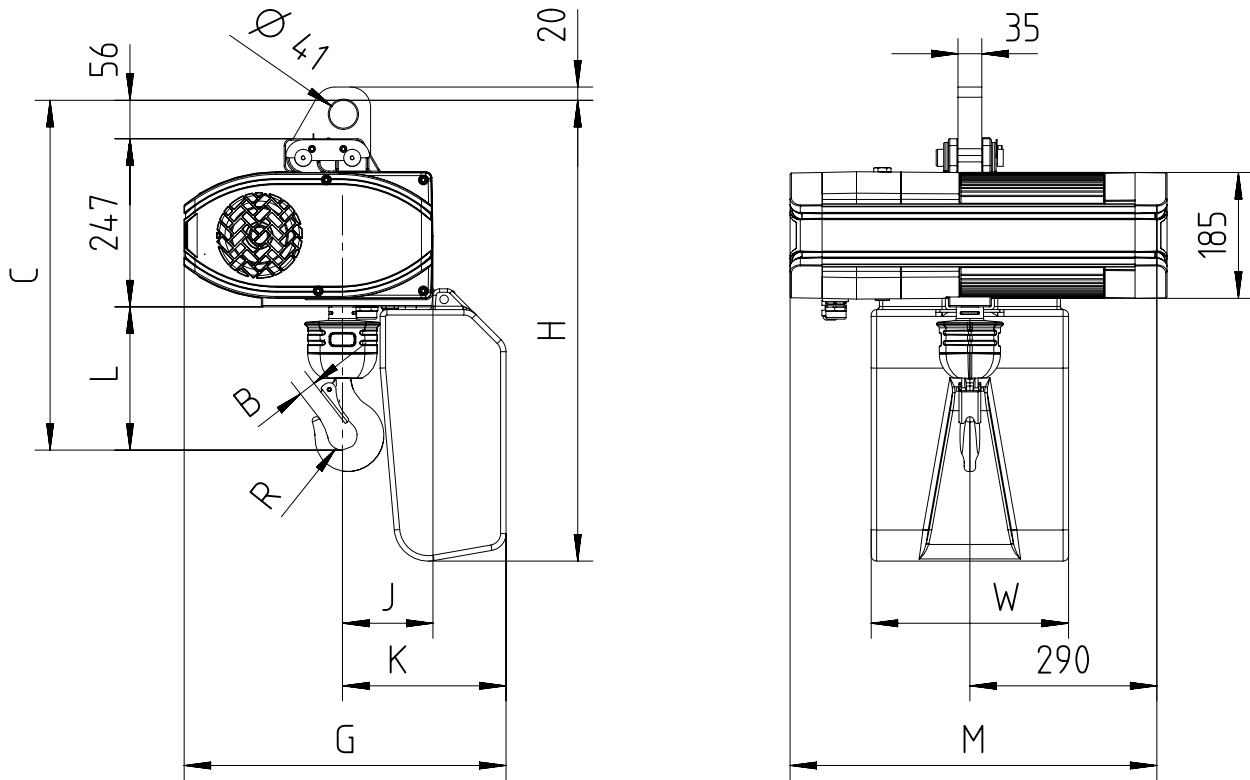




Eye suspended (perpendicular version)



Note: In case of 2-fall hoist, suspension eye is rotated by 180°.
Note: Add 60mm to C & L dimension for hoisting speeds greater than 8 m/min.

Chain Size (mm)	Max load (Kg)	Falls	Chain bag capacity (m)	Dimensions (mm)										Weight of chain (kg/m)	Estimated weight of hoist w/o chain (Kg)			
				B	C	L	R	J	K	G	H	W	M		LK	GLS	DB	
													LK/					GLS
9x27	1600	1	12	26	513	210	22	133	240	473	677	290	554	668	1.8	88	93	97
			50 (*)						422	655	891	300						
			80 (*)						494	727	1093	300						
	3200	2	12 (**)	35	660	357	25	175	282	473	677	290	554	668	1.8	92	97	101
			50 (*,**)						464	655	891	300						
			80 (*,**)						536	727	1093	300						

GLS: Gear Limit Switch (*) For these heights of lift, customer has to link the chain bag to the structure.
DB : Double Brake (***) In case of 2-fall hoist, available lifting height is half of the chain bag maximum capacity.