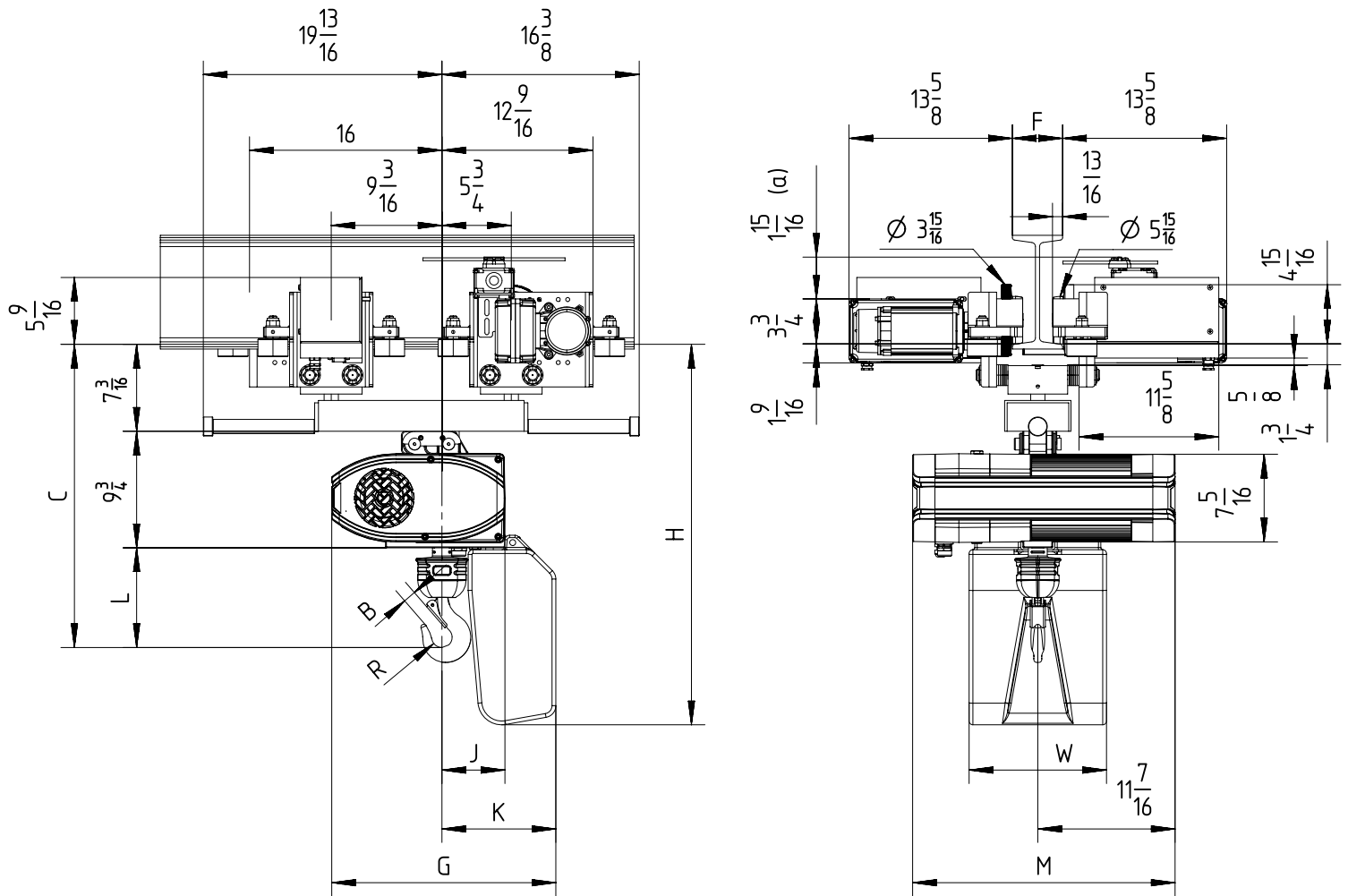


With electric swivelling trolley max 3.2 TON (perpendicular version)



$$3\frac{15}{16} < F < 12\frac{3}{16}$$

(a) Note: Trolley limit switch is optional.
 Note: Mini. radius of curve for trolley 3.2 TON is 2.62ft.
 Note: Add $2\frac{3}{8}$ inch to C & L dimension for hoisting speeds greater than 32 fpm.

Chain Size (mm)	Max load (TON)	Falls	Chain bag capacity (ft)	Dimensions (inch)										Weight of chain (lb/ft)	Estimated weight of hoist incl. trolley w/o chain (lb)			
				B	C	L	R	J	K	G	H	W	M		LK	GLS	DB	
													LK/GLS					DB
9x27	1 $\frac{1}{2}$	1	39	1	25 $\frac{3}{16}$	8 $\frac{1}{4}$	7 $\frac{7}{8}$	5 $\frac{1}{8}$	9 $\frac{7}{16}$	18 $\frac{5}{8}$	31 $\frac{5}{8}$	11 $\frac{7}{16}$	21 $\frac{13}{16}$	26 $\frac{5}{16}$	1.2	456	467	470
			164 (*)						16 $\frac{5}{8}$	25 $\frac{3}{4}$	40 $\frac{1}{16}$	11 $\frac{13}{16}$						
			262 (*)						19 $\frac{7}{16}$	27 $\frac{5}{8}$	48	11 $\frac{13}{16}$						
	3	2	39 (**)	1 $\frac{3}{8}$	30 $\frac{3}{16}$	13 $\frac{1}{4}$	1	6 $\frac{3}{8}$	11 $\frac{1}{8}$	18 $\frac{5}{8}$	31 $\frac{5}{8}$	11 $\frac{7}{16}$	21 $\frac{13}{16}$	26 $\frac{5}{16}$	1.2	463	474	476
			164 (*,**))						18 $\frac{1}{4}$	25 $\frac{3}{4}$	40 $\frac{1}{16}$	11 $\frac{13}{16}$						
			262 (*,**))						21 $\frac{1}{8}$	27 $\frac{5}{8}$	48	11 $\frac{13}{16}$						

GLS: Gear Limit Switch
 DB : Double Brake

(*) For big height of lift, customer has to link the chain bag to the structure.
 (**) In case of 2-fall hoist, available lifting height is half of the chain bag maximum capacity.