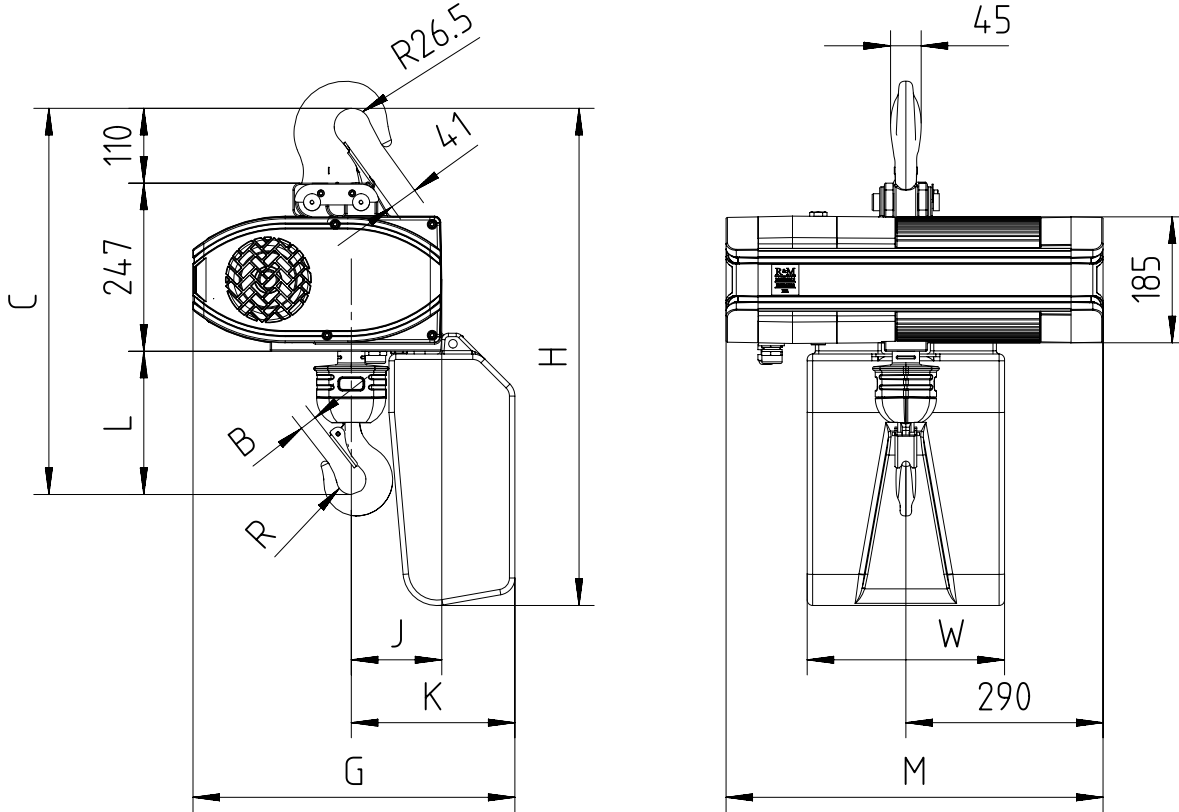


Hook suspended (perpendicular version)



Note: In case of 2-fall hoist, suspension hook is rotated by 180°.
 Note: Add 60mm to C & L dimension for hoisting speeds greater than 8 m/min.

Chain Size (mm)	Max load (Kg)	Falls	Chain bag capacity (m)	Dimensions (mm)										Weight of chain (kg/m)	Estimated weight of hoist w/o chain (kg)			
				B	C	L	R	J	K	G	H	W	M			LK	GLS	DB
9x27	1600	1	12	26	567	210	22	133	240	473	730	290	554	668	1.8	89	91	95
			50 (*)						422	655	944	300						
			80 (*)						494	727	1146	300						
	3200	2	12 (**)	35	714	357	25	175	282	473	730	290	554	668	1.8	92	94	99
			50 (*,**)						464	655	944	300						
			80 (*,**)						536	727	1146	300						

GLS: Gear Limit Switch
 DB : Double Brake

(*) For these heights of lift, customer has to link the chain bag to the structure.
 (**) In case of 2-fall hoist, available lifting height is half of the chain bag maximum capacity.