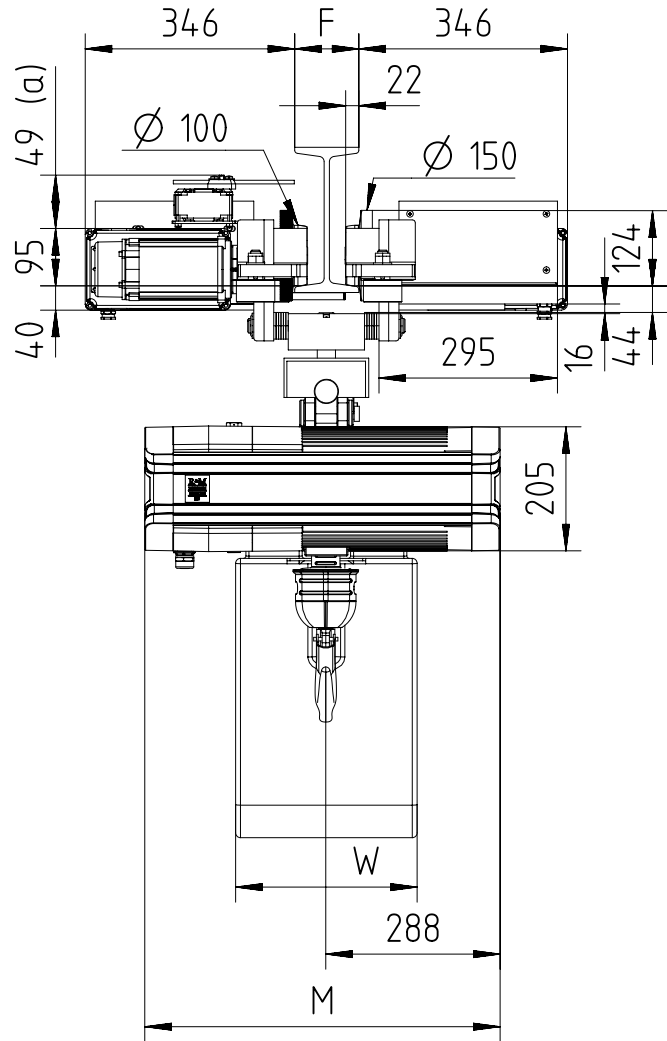
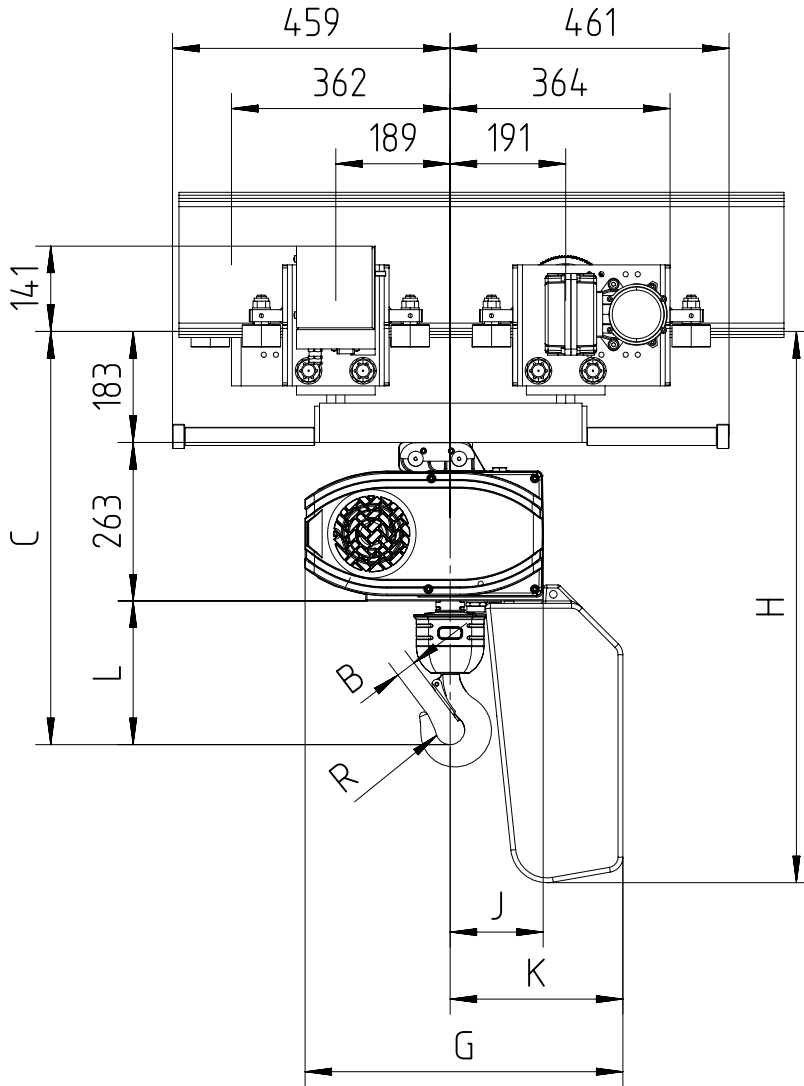


With electric swivelling trolley max 3000 Kg (perpendicular version)



100 < F < 310

(a) Note: Trolley limit switch is optional.
 Note: Mini. radius of curve for trolley 3000 kg is 0.8m.
 Note: Add 60mm to C & L dimension for hoisting speeds greater than 8 m/min.

Chain Size (mm)	Max load (Kg)	Falls	Chain bag capacity (m)	Dimensions (mm)										Weight of chain (kg/m)	Estimated weight of hoist incl. trolley w/o chain (Kg)			
				B	C	L	R	J	K	G	H	W	M		LK	GLS	DB	
													LK/					GLS
11.3X31	2500	1	12	33	684	238	24	154	286	525	911	300	587	709	2.8	226	231	232
			30 (*)						443	682	1033							
	3200	2	12 (**)	41	834	388	28	203	334	525	911	300	587	709	2.8	230	236	236
			30 (*,**)						491	682	1033							
			50 (**)						515	754	1235							
			50 (*,**)						563	754	1235							

GLS: Gear Limit Switch
 DB : Double Brake

(*) For these heights of lift, customer has to link the chain bag to the structure.
 (**) In case of 2-fall hoist, available lifting height is half of the chain bag maximum capacity.