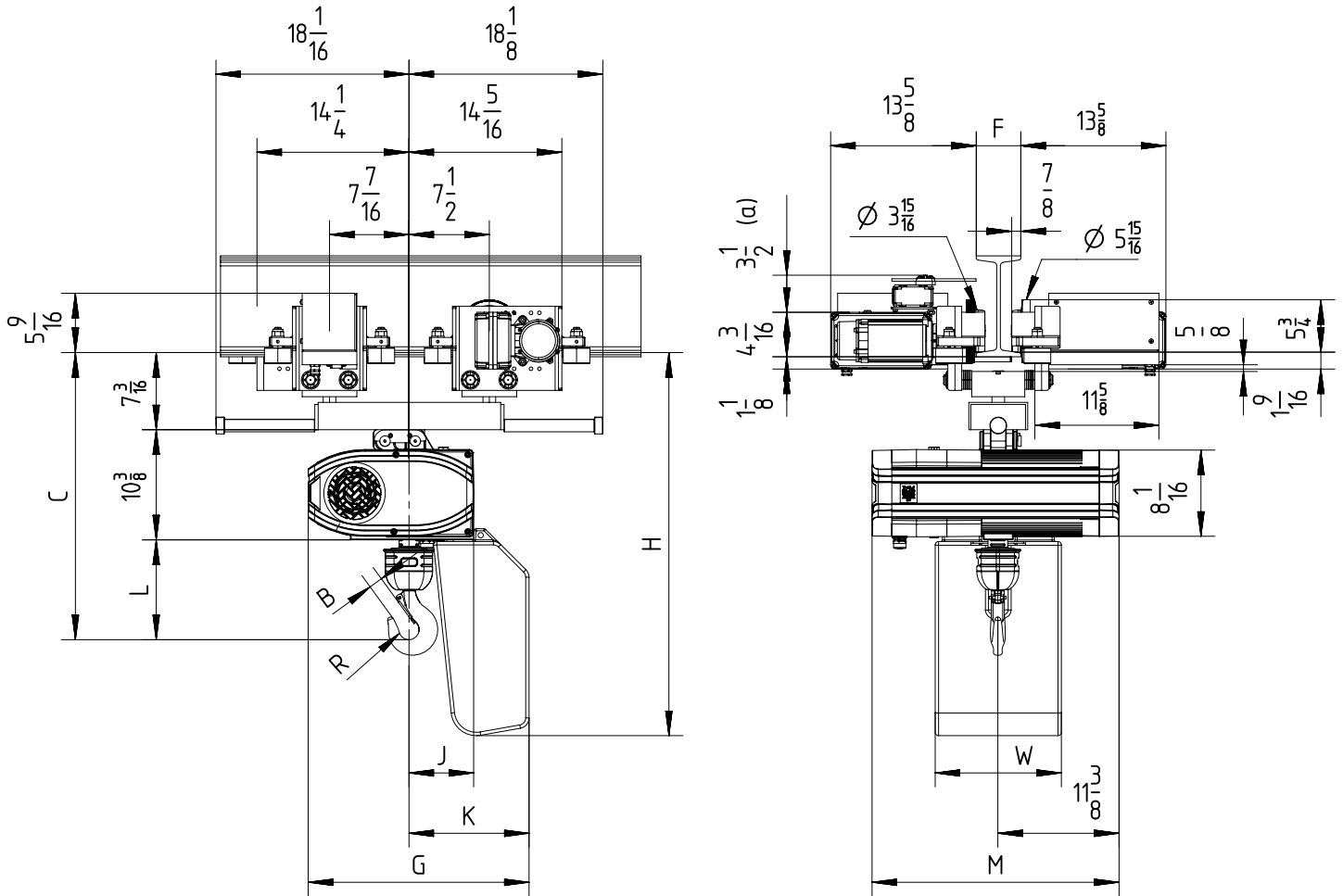


With electric swivelling trolley max 3 TON (perpendicular version)



$$3\frac{15}{16} < F < 12\frac{3}{16}$$

Note: In case of 2-fall hoist, coupling suspension is rotated by 180°.
 Note: Mini. radius of curve for trolley 3 TON is 2.62ft.
 Note: Add 2 3/8 inch to C & L dimension for hoisting speeds greater than 32fpm.

Chain Size (mm)	Max load (TON)	Falls	Chain bag capacity (ft)	Dimensions (inch)										Weight of chain (lb/ft)	Estimated weight of hoist incl. trolley w/o chain (lb)			
				B	C	L	R	J	K	G	H	W	M		LK	GLS	DB	
													LK/GLS					DB
11.3x31	2 1/2	1	39	1 5/8	26 15/16	9 3/8	15 1/8	6 1/8	11 1/8	20 11/16	35 7/8	11 13/16	23 1/8	27 15/16	1.9	498	509	511
			98						17 7/16	26 7/8	40 11/16							
			164 (*)						20 1/4	29 11/16	48 5/8							
	3	2	39 (**)	1 5/8	32 13/16	15 1/4	1 1/8	8	13 1/8	20 11/16	35 7/8	11 13/16	23 1/8	27 15/16	1.9	507	520	520
			98 (*, **)						19 5/16	26 7/8	40 11/16							
			164 (*, **)						22 3/16	29 11/16	48 5/8							

GLS: Gear Limit Switch
 DB : Double Brake

(*) For these heights of lift, customer has to link the chain bag to the structure.
 (**) In case of 2-fall hoist, available lifting height is half of the chain bag maximum capacity.