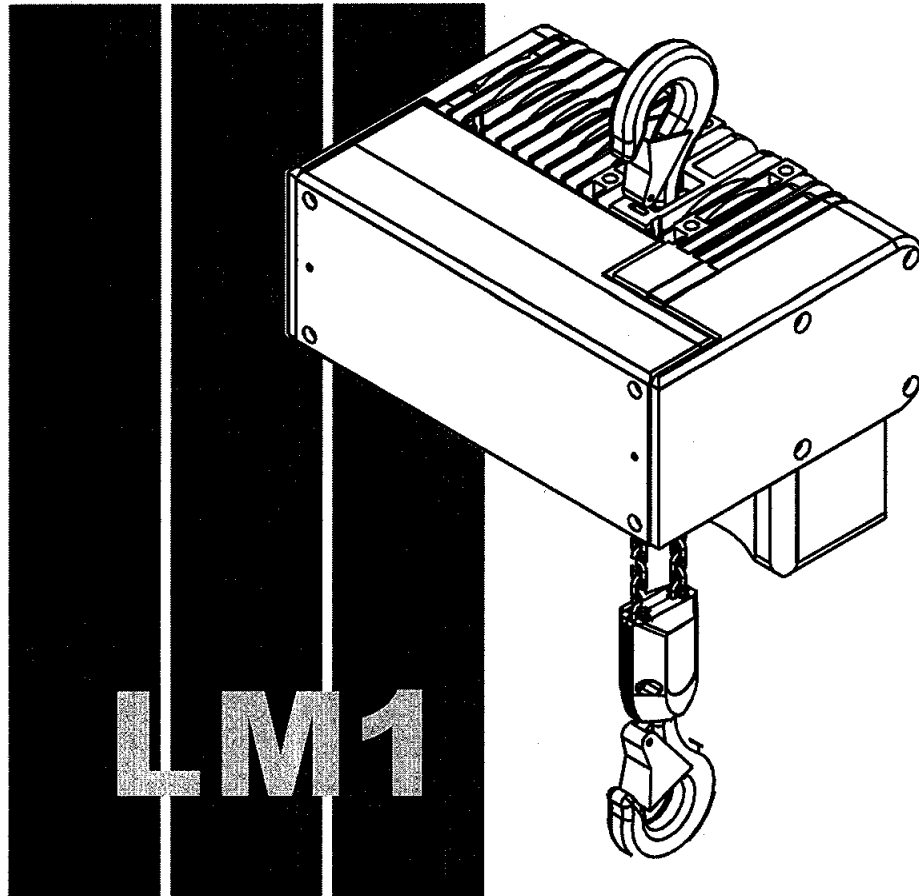




R&M Materials Handling, Inc
Springfield, Ohio USA
☎: 800 955-9967
web: www.rmhoist.com

LoadMate® Chain Hoist
LM1 Manual
Revision 1

R&M *LOADMATE* CHAIN HOIST



INSTALLATION, OPERATION AND MAINTENANCE INSTRUCTIONS

JOB No.: _____
SERIAL No.: _____

(RECORD HOIST SERIAL NUMBER FOR FUTURE REFERENCE)

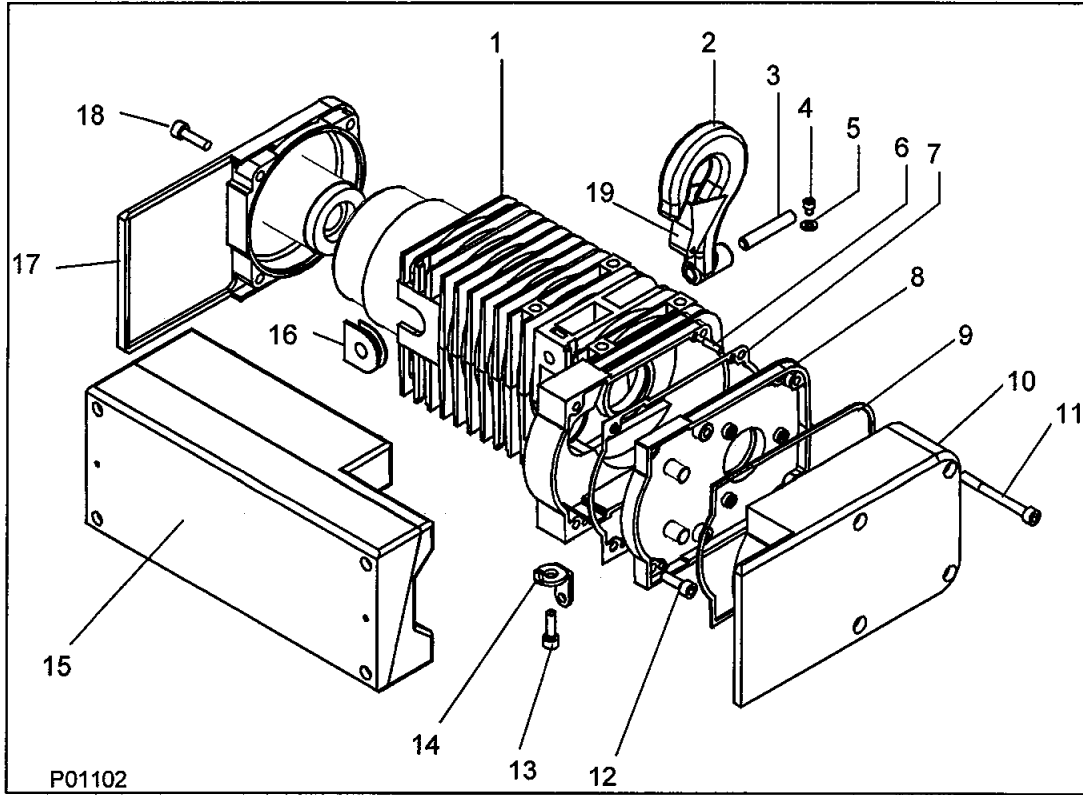


Index of Exploded View Parts Illustrations

HOIST BODY	2
GEAR MECHANISM/BRAKE	4
LIFTING ASSEMBLY	6
CONTROLS	8
PUSHBUTTON.....	10



Hoist Body





R&M Materials Handling, Inc
Springfield, Ohio USA
☎: 800 955-9967
web: www.rmhoist.com

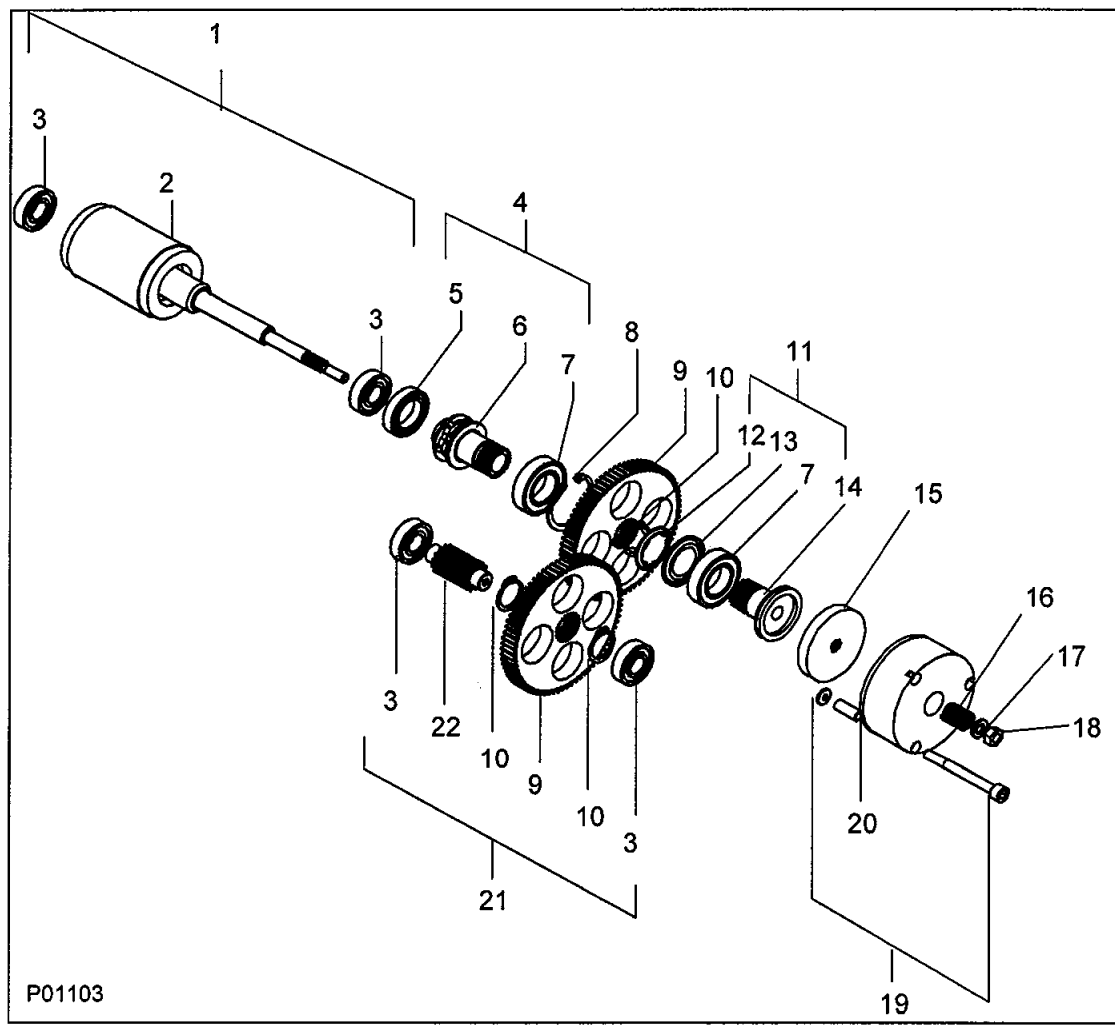
LoadMate Chain Hoist
LM1 Spare Parts
Revision 1

Hoist Body

Item	Part Number	Description	Comments	Qty	
1	52260343	Hoist body with stator	460V/60Hz	1	
1	522603456	Hoist body with stator	230V/60Hz	1	
1	52260347	Hoist body with stator	575V/60Hz	1	
2a	52293113	Top hook assembly		1	
2	52253670	Top hook		1	
3		Pin		1	
4		Screw		1	
5		Washer		1	
6		Dowel pin		1	
7	52253585	Seal		1	
8	52253586	Gear cover		1	
9	52253666	Seal		1	
10	52253665	Brake housing		1	
11	52253667	Screw		4	
12	52253636	Screw		4	
13	52264431	Screw		1	
14	2213020	Cable fastening bracket+hardware		1	
15		Control enclosure		1	
16	2218004	Cable gromet		1	
17	52258392	Motor endcap		1	
18		Screw		4	
19	50003846	Safety latch		1	



Gear Mechanism/Brake





R&M Materials Handling, Inc
Springfield, Ohio USA
☎: 800 955-9967
web: www.rmhoist.com

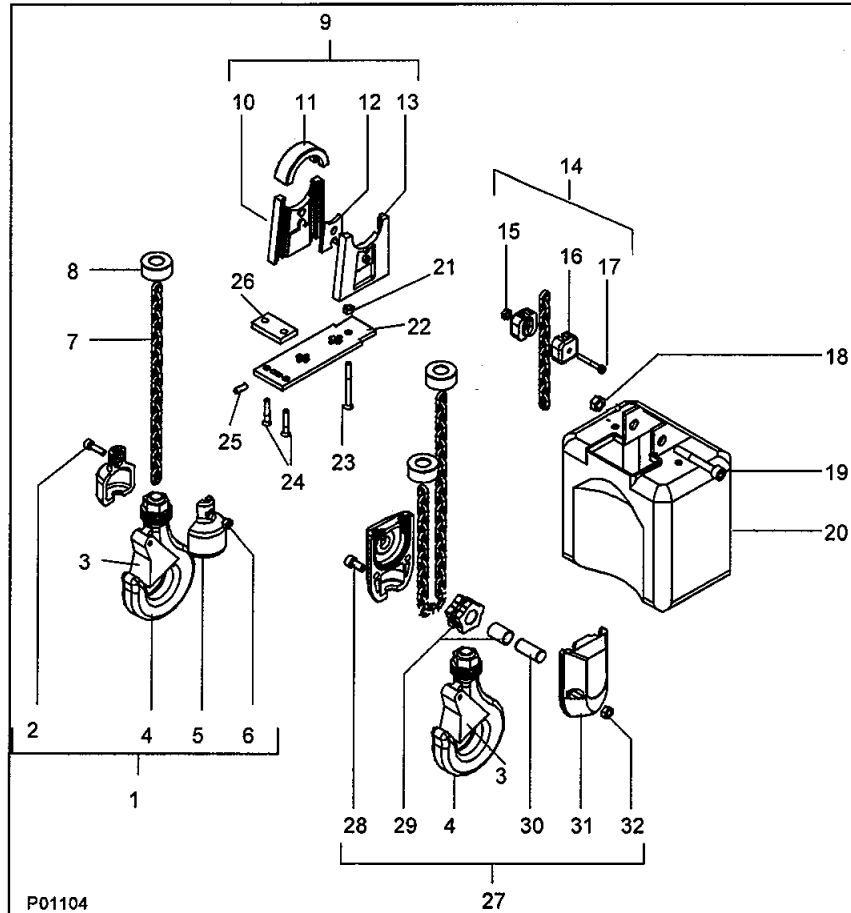
LoadMate Chain Hoist
LM1 Spare Parts
Revision 1

Gear Mechanism/Brake

Item	Part Number	Description	Comments	Qty
1	52260343	Rotor & bearing	=2+3	1
2		Rotor		1
3	52253582	Bearing		1
4	52254052	Load chain sprocket set	=5+6+7	1
5	52253276	Bearing		1
6		Sprocket		1
7	52253277	Bearing		1
8	52000894	Retaining ring		1
9	52253278	Gear		1
10	52000895	Retaining ring		1
11	52253657	Torque limiter set	=7+12+13+14	1
12		Bushing		1
13		Sealing ring		1
14		Friction disk assembly		1
15	52253656	Brake limiter plate		1
16a	52293117	Torque limiter spring set	=16+17+18	1
16		Spring		1
17		Washer		1
18		Nut		1
19	52253644	Brake 190VDC	400-480V	1
19	52253642	Brake 100VDC	200-240V	1
19	52253646	Brake 230VDC	500-575V	1
21	52254053	Gear set	=3+22+10+9+10+3	1
22		Pinion		1



Lifting Assembly





R&M Materials Handling, Inc
Springfield, Ohio USA
☎: 800 955-9967
web: www.rmhoist.com

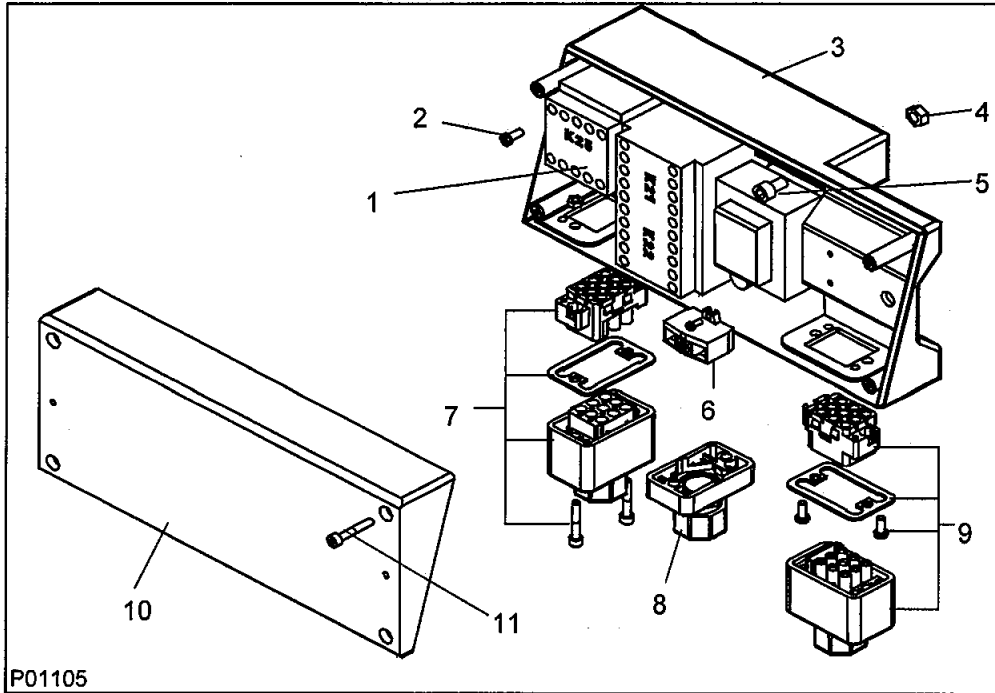
LoadMate Chain Hoist
LM1 Spare Parts
Revision 1

Lifting Assembly

Item	Part Number	Description	Comments	Qty
1	52264306	Complete load block - 1 fall	=2+3+4+5+6	1
2		Screw		2
3		Safety latch		1
4		Load hook		1
5		Side block		2
6		Nut		2
7	52253908	Load chain		AR
8	52264447	Rubber plate		1
9	52264315	Lower chain guide set		1
10		Lower chain guide left side plate		1
11		Upper chain guide		1
12		Chain stripper		1
13		Lower chain guide right side plate		1
14	52264313	Slack fall stop set	=15+16+17	1
15		Nut		1
16		Stop		1
17		Screw		1
18		Nut		1
19		Pin		1
20a	52293116	Chain bag set 7m	=18+19+20	1
20a	52293198	Chain bag set 16m	=18+19+20	1
20a	52293199	Chain bag set 30m	=18+19+20	1
20		Chain bag		1
21		Nut		1
22		Lower chain guide		1
23		Screw		1
24		Screw		1
25		Pin		1
26		Locking plate		1
27	52264307	Complete load block - 2 fall	=4+28+29+30+31+32	1
28		Screw		1
29	52264429	Idler sprocket		1
30	52253904	Shaft		1
31		Load block side plate		1
32		Nut		1
33	52264394	Upper & lower limit switch set	Optional	1



Controls





R&M Materials Handling, Inc
Springfield, Ohio USA
☎: 800 955-9967
web: www.rmhoist.com

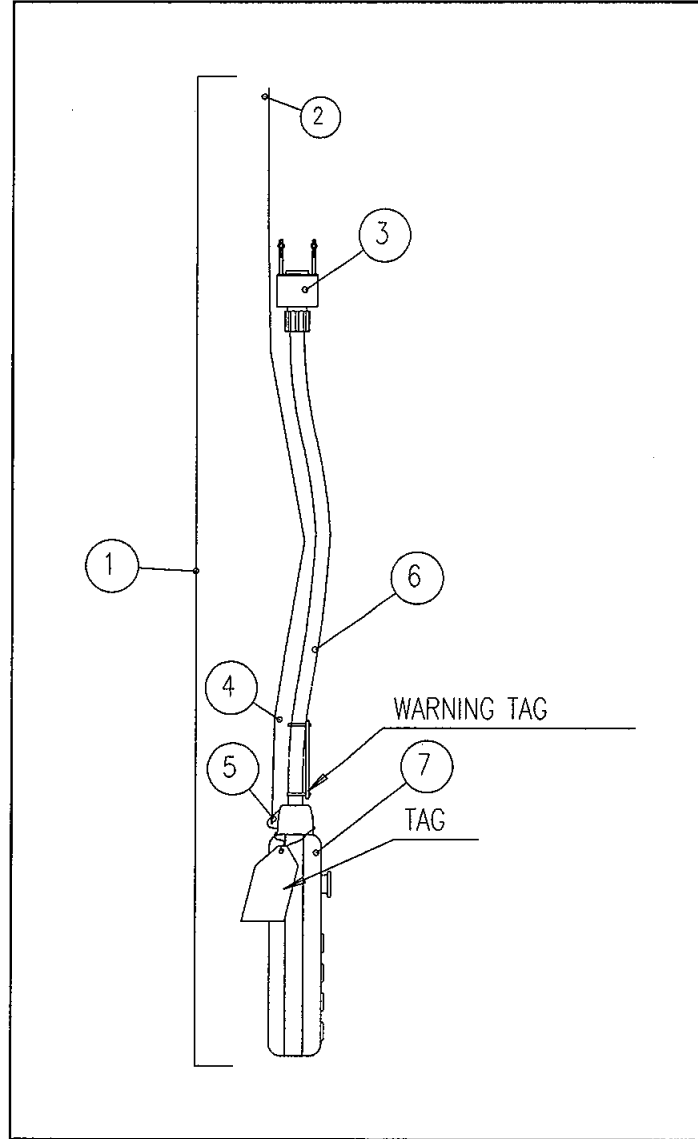
LoadMate Chain Hoist
LM1 Spare Parts
Revision 1

Controls

Item	Part Number	Description	Comments	Qty	
1	52283267	PC Board complete 460V/60Hz/110V	Two speed	1	
1	52283268	PC Board complete 230V/60Hz/110V	Two speed	2	
1	52283269	PC Board complete 575V/60Hz/110V	Two speed	1	
1	52264827	PC Board complete 400V/60Hz/110V	Two speed	1	
2		Screw		3	
3	52259398	Enclosure base		1	
4		Nut		3	
5	50003474	Screw		1	
6	50007579	Ground terminal		1	
7	50007331	Plug set for power supply	Option	1	
8	50004958	Cable gland for power supply		1	
9	50007329	Plug set for pushbutton pendant		1	
10	52258399	Enclosure cover		1	
11	52265487	Screw		4	



Pushbutton





R&M Materials Handling, Inc
Springfield, Ohio USA
☎: 800 955-9967
web: www.rmhoist.com

LoadMate Chain Hoist
LM1 Spare Parts
Revision 1

Pushbutton

Item	Part Number	Description	Comments	Qty	
1	2309673010	E-stop, SS Hoist pendant assy	10 ft hoist lift	1	
1	2309673015	E-stop, SS Hoist pendant assy	15 ft hoist lift	1	
1	2309673020	E-stop, SS Hoist pendant assy	20 ft hoist lift	1	
1	2309674010	E-stop, TS Hoist pendant assy	10 ft hoist lift	1	
1	2309674015	E-stop, TS Hoist pendant assy	15 ft hoist lift	1	
1	2309674020	E-stop, TS Hoist pendant assy	20 ft hoist lift	1	
1	2309675010	E-stop, SS Hoist, TS Trolley pendant	10 ft hoist lift	1	
1	2309675015	E-stop, SS Hoist, TS Trolley pendant	15 ft hoist lift	1	
1	2309675020	E-stop, SS Hoist, TS Trolley pendant	20 ft hoist lift	1	
1	2309676010	E-stop, TS Hoist, TS Trolley pendant	10 ft hoist lift	1	
1	2309676015	E-stop, TS Hoist, TS Trolley pendant	15 ft hoist lift	1	
1	2309676020	E-stop, TS Hoist, TS Trolley pendant	20 ft hoist lift	1	
2	2218000	Upper suspension kit		1	
3	2219812	Plug kit		1	
4	2212752001	Strain relief cable		1	
5	2212753001	Suspension unit		1	
6	RPC1612	Electrical cable		1	
7	2212932011	E-stop, SS Hoist pushbutton assy		1	
7	2212932012	E-stop, TS Hoist pushbutton assy		1	
7	2212932032	E-stop, SS Hoist, TS Trolley pushbutton		1	
7	2212932033	E-stop, TS Hoist, TS Trolley pushbutton		1	