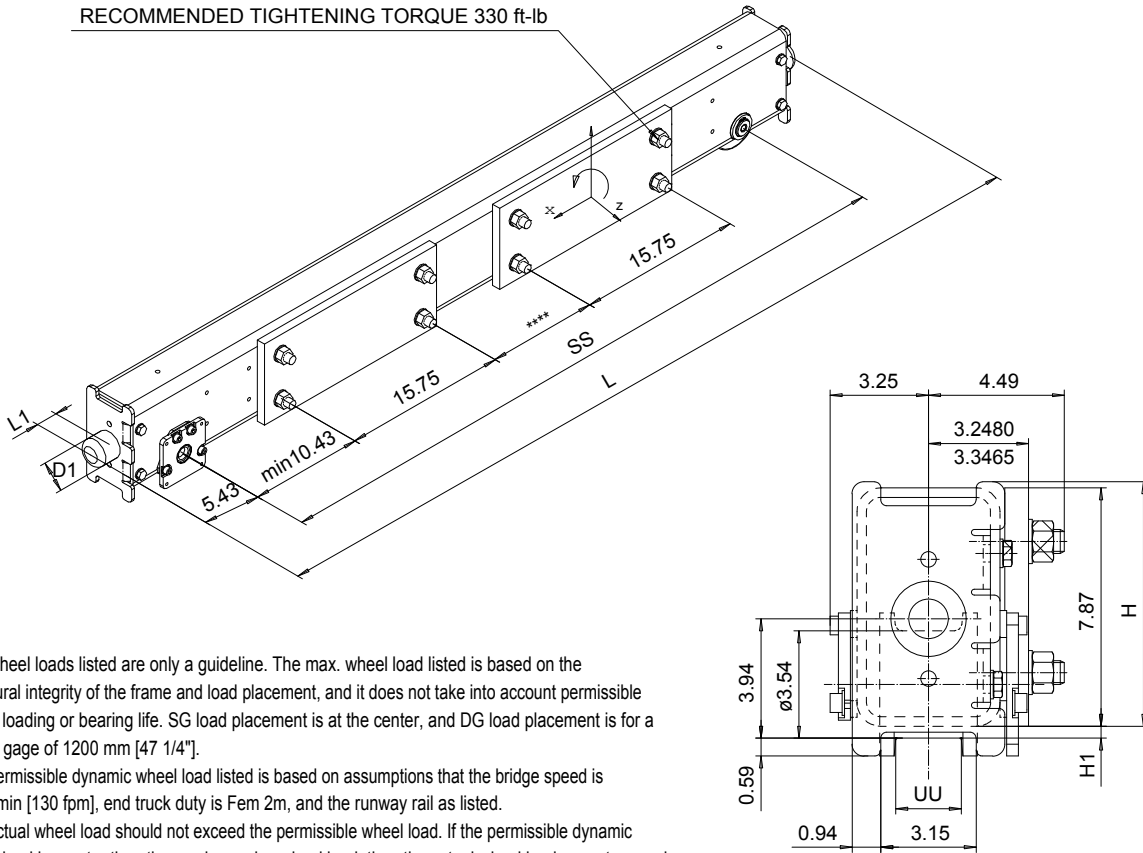


RSN09 END TRUCK

For single and double girder cranes

US-60Hz

RECOMMENDED TIGHTENING TORQUE 330 ft-lb



The wheel loads listed are only a guideline. The max. wheel load listed is based on the structural integrity of the frame and load placement, and it does not take into account permissible wheel loading or bearing life. SG load placement is at the center, and DG load placement is for a trolley gage of 1200 mm [47 1/4"].

The permissible dynamic wheel load listed is based on assumptions that the bridge speed is 40 m/min [130 fpm], end truck duty is Fern 2m, and the runway rail as listed.

The actual wheel load should not exceed the permissible wheel load. If the permissible dynamic wheel load is greater than the maximum dyn wheel load, then the actual wheel load cannot exceed maximum dyn wheel load.

Dynamic wheel = 1.15 x static wheel load

SS	H	H1	SG		DG		Permissible dyn wheel load		
			WT	Max dyn whl load	WT	Max dyn whl load	ASCE 30	ASCE 40	2" SQ BAR
[in] (mm)	[in]	[in]	[lb]	[lb]	[lb]	[lb]	[lb]	[lb]	[lb]
49.21 (1250)	8.07	0.39	190	6300	-	-	4838	5558	7167
63 (1600)	8.07	0.39	218	6300	256	6300	4838	5558	7167
78.74 (2000)	8.07	0.39	249	6300	287	6300	4838	5558	7167
98.43 (2500)	8.07	0.39	291	6300	328	6300	4838	5558	7167

$$L = SS + 10.87" + 2 * L1$$

Available only with ductile iron wheel.

UU=1.97"...2.76"

RSN09 end truck is compatible with the GES3 gear motor and can be equipped with a second gear motor.

If the crane speed is faster, duty group is more severe, or the actual runway rail is narrower, then the max. allowable dynamic wheel load must be recalculated.

Suitable buffers		
Code	D1 [in]	L1 [in]
A	2.48	2.09
B	3.15	2.68
C	3.94	3.35
A, B, C: Rubber		

ETVPH Design Date 2007-01-03 ETTVPH		ETVPH Chd Appd Ref Drawing EBN09	
SLBQDOCV Owner Dept R&M R&M MATERIALS HANDLING, INC. BRISTOL & GARDNER PRODUCTS SPRINGFIELD, OHIO		END CARRIAGE EBN09 D004769-A Issue 3/2011	