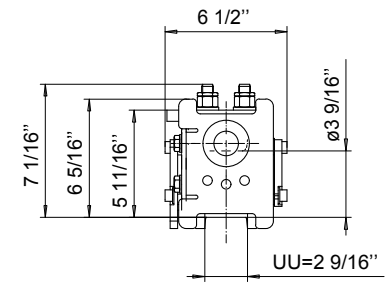
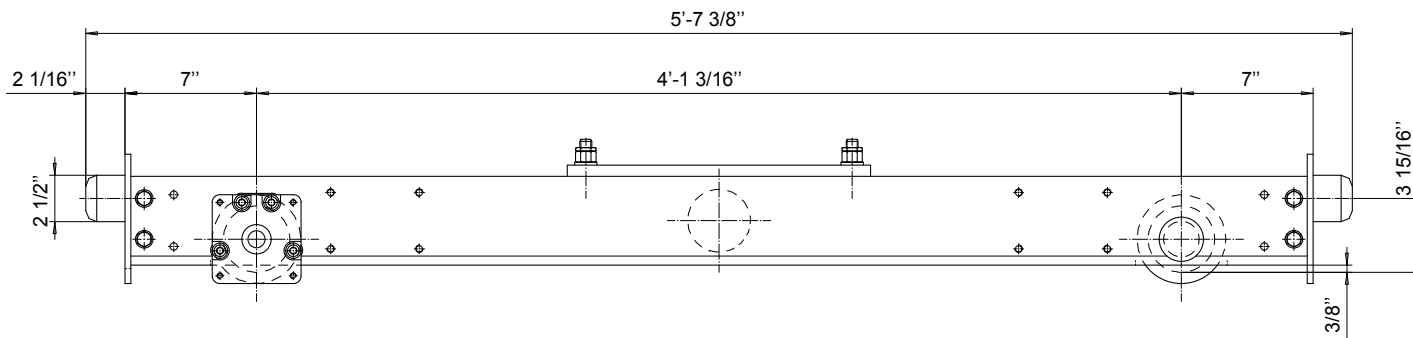
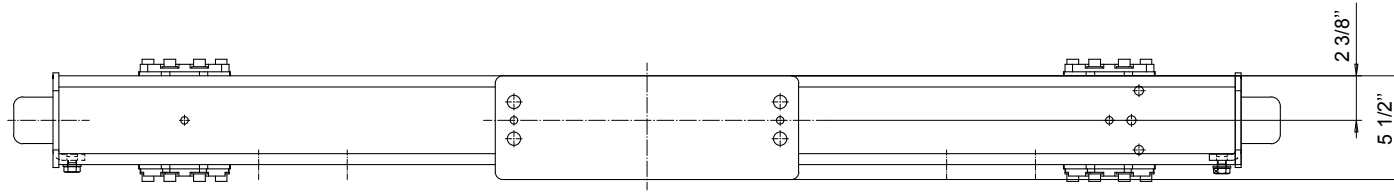


This document is the absolute property of R&M Materials Handling, Inc. This document must not be copied without the written permission of R&M Materials Handling, Inc. The contents thereof must not be disclosed to a third party nor be used for any unauthorized purpose. Contravention will be prosecuted.

MAXIMUM WHEEL LOAD: 5478 lbs
 WEIGHT PER TRUCK: 117 lbs
 MAXIMUM SPAN: 32'-9"
 MAXIMUM CRANE CAPACITY: 2 TON, 3 TON WITH SMALLER SPANS



ETVPR	ETVPR	
2008-10-14	END TRUCK	
SLE200CV	OUTLINE DRAWING	1 of 1
R&M MATERIALS HANDLING, INC HOIST & CRANE PRODUCTS SPRINGFIELD, OHIO	RTL09-13 RTL09-13 END TRUCK	ECL09 2