

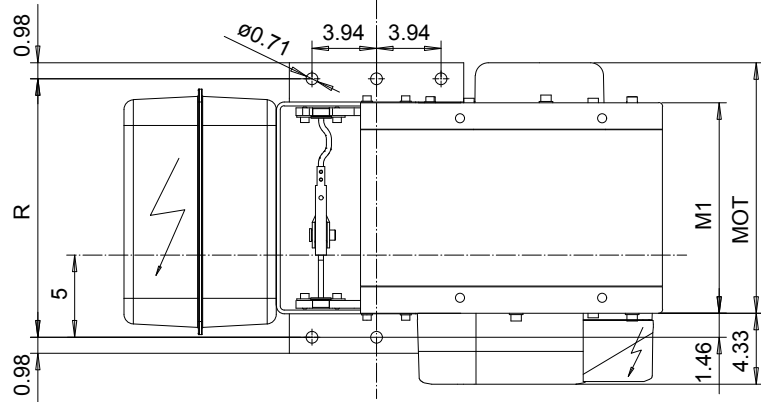
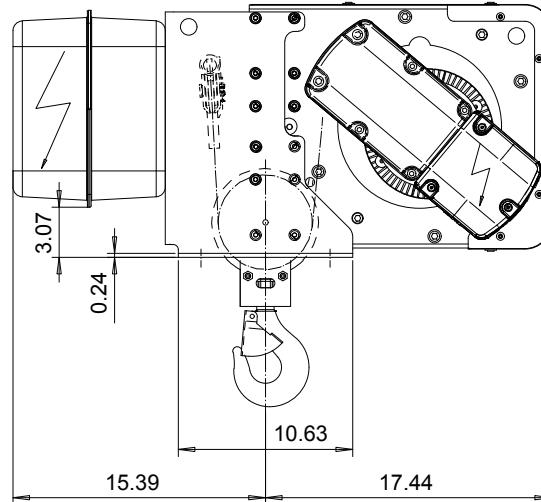
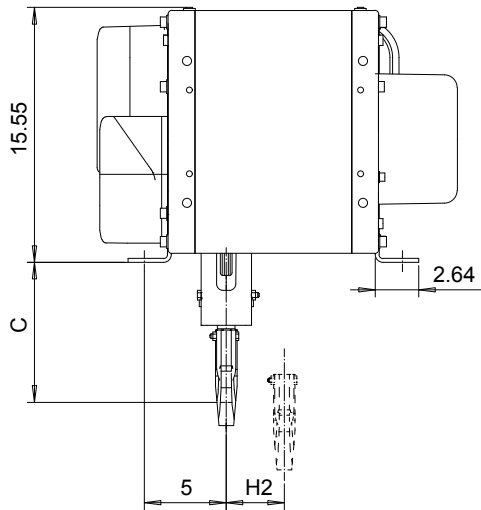
FOOT MOUNT, 2 PART SINGLE

Hoist type:

SX2 021..F0

SX3 021..F0

US-60Hz



Motor	P1	P2	P3	A3	S3
MOT (in)	15.2	17.6	18.7	17.6	20.7
Weight (lb)	46	68	77	71	62

HOL (ft)	Length code	M1 (inch)	H2 (inch)	R (inch)	Approx Weight (lb)
39'-4"	A	12.84	3.54	15.75	250
62'-4"	C	17.95	5.67	20.87	270

Load (ton)	Class ASME
3/4	H4+
1	H4
1 1/4	H4+
1 1/2	H4

Headroom - C dimension	
Standard	7.7"
with HS22 Hook operated limit switch	16.8"

Approx. weight calculated with P1 motor.

This document is the absolute property of R&M Materials Handling, Inc. This document must not be copied without the written permission of R&M Materials Handling, Inc. The contents thereof must not be disclosed to a third party nor be used for any unauthorized purpose. Contravention will be prosecuted.

Design	Chd	Appd	Ref Drawing	QA-F-02
Date	HOIST; FIXED			
SLEIGHMECE Owner Dept	2 ROPE FALLS			
R&M MATERIALS HANDLING INC.	R&M MATERIALS HANDLING, INC. HOIST & CRANE PRODUCTS SPRINGFIELD, OHIO	D002071-A		Issue 8