

NORMAL HEADROOM, 4 PART SINGLE

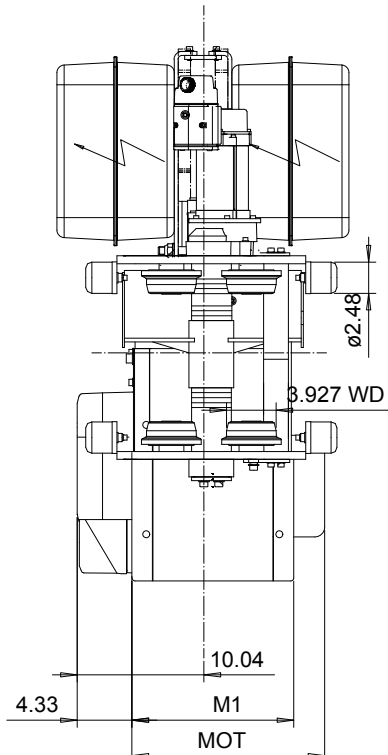
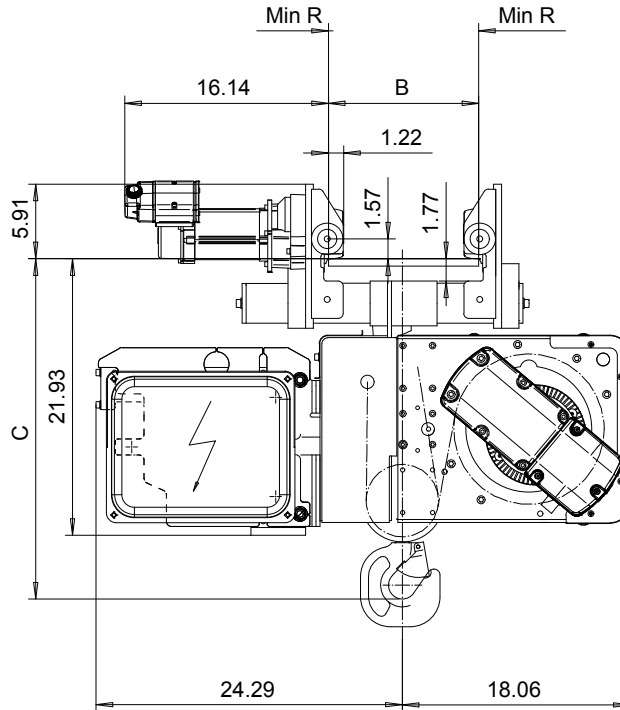
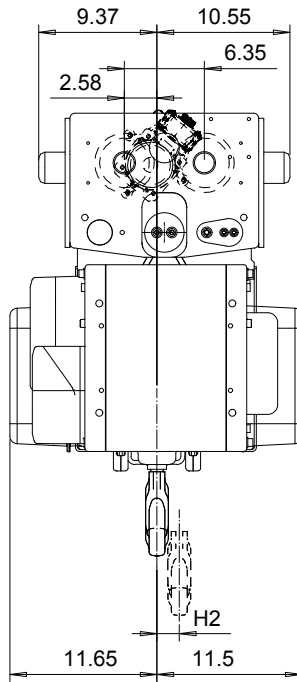
Hoist type:

SX2041..N0

SX3041..N0

US-60Hz

B = 3 1/8" - 17 3/4" (Straight track)



Motor	P1	P2	P3	A3	S3
MOT (in)	15.2	17.6	18.7	17.6	20.7
Weight (lb)	46	68	77	71	62

Minimum Radius Curve	
Flange, B (inch)	Min R
3.15 - 4.31	8'-2 7/16"
4.33 - 4.69	6'-6 3/4"
4.75 - 17.72	4'-11 1/6"

Headroom - C dimension	
Standard	27.18"
with HS22 Hook operated limit switch	31.9"

HOL (ft)	Length code	H2 (inch)	M1 (inch)	Approx Weight (lb)
19'-8"	A	1.77	12.84	573
31'-2"	C	2.83	17.95	662

Load (ton)	Class ASME
1 1/2	H4+
2	H4
2 1/2	H4+
3	H4

Approx. weight calculated with P1 motor.

This document is the absolute property of R&M Materials Handling, Inc. This document must not be copied without the written permission of R&M Materials Handling, Inc. The contents thereof must not be disclosed to a third party nor be used for any unauthorized purpose. Contravention will be prosecuted.

ETTPAL Design 2002-08-26 Date SLEQOOCV Owner Dept	ETTPAL Cnd Appnt Ref Drawing QA-N-04	TROLLEY; NORMAL HEADROOM 4 ROPE FALLS	1:6.5 Foster
R&M MATERIALS HANDLING INC.	R&M MATERIALS HANDLING INC HOIST & CRANE PRODUCTS SPRINGFIELD, OHIO	D002082-A	11