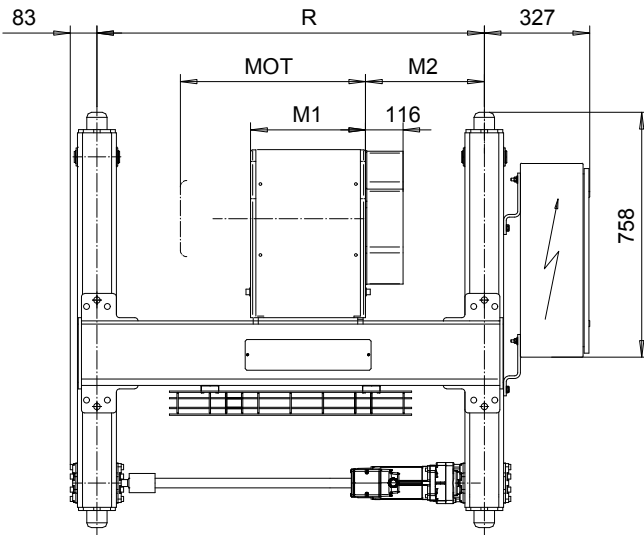
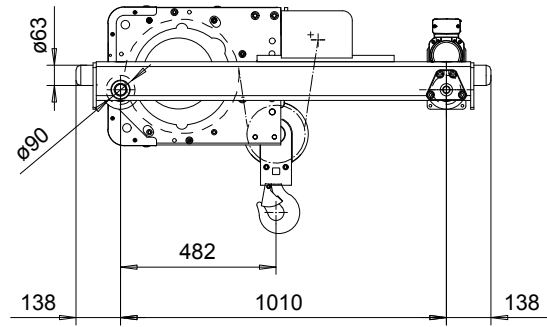
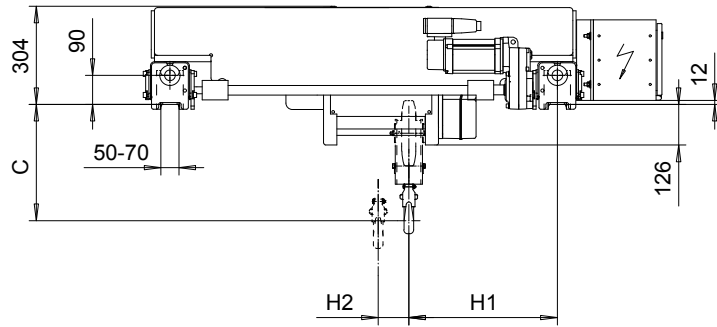


DOUBLE GIRDER, MEDIUM, 2 PART SINGLE

Hoist type:

SX4 021...D0

SI-60Hz



Headroom - C dimension	
Standard	425 mm
with HS22 Hook operated limit switch	565 mm

Motor	P3	P4	A3	S3	S5
MOT (mm)	476	574	446	526	602
Weight (kg)	35	53	32	28	53

HOL	Length	M1	M2	H1	H2	min R	Approx Weight
(m)	code	(mm)	(mm)	(mm)	(mm)	(mm)	(kg)
12	B	356	368	459	95	1200	310
18	C	456	368	459	144	1200	320
24	D	556	468	559	193	1400	335
30	E	676	468	559	252	1400	350

Load	Class
(kg)	Fem/ISO
1600	3m/M6
2000	3m/M6
2500	2m/M5

Note: minR is minimum rail gauge when second brake is supplied
 Standard rail gauges are 1200, 1400, 1700, and 2000 mm
 H1, M2 calculated at minR and weight calculated with P3 motor.

This document is the absolute property of R&M Materials Handling, Inc. This document must not be copied without the written permission of R&M Materials Handling, Inc. The contents thereof must not be disclosed to a third party nor be used for any unauthorized purpose. Contravention will be prosecuted.

Design	Chd	Appd	Ref Drawing	QB-M-02
Date	TROLLEY; DOUBLE GIRDER			1:10 Folder
SLEQENG1 Owner Dept	MEDIUM, 2 ROPE FALLS			
R&M MATERIALS HANDLING INC.	R&M MATERIALS HANDLING, INC. HOIST & CRANE PRODUCTS SPRINGFIELD, OHIO	D002088-A		Issue 9