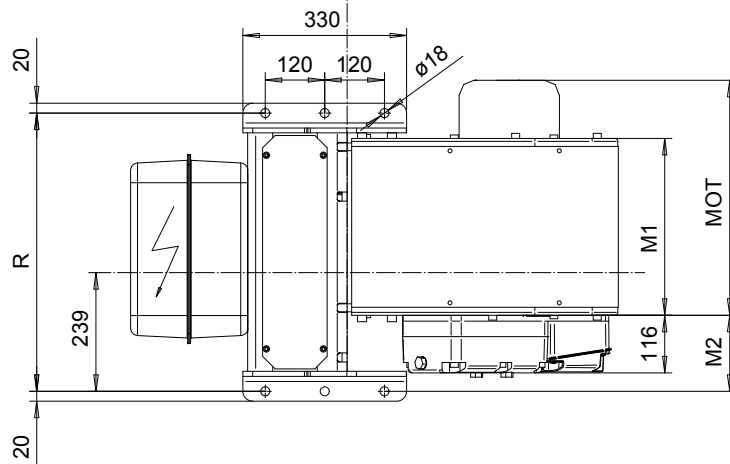
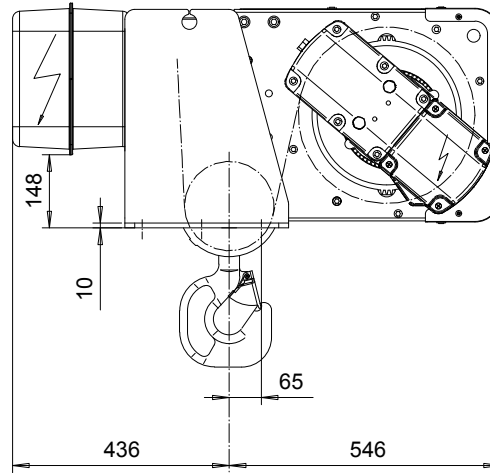
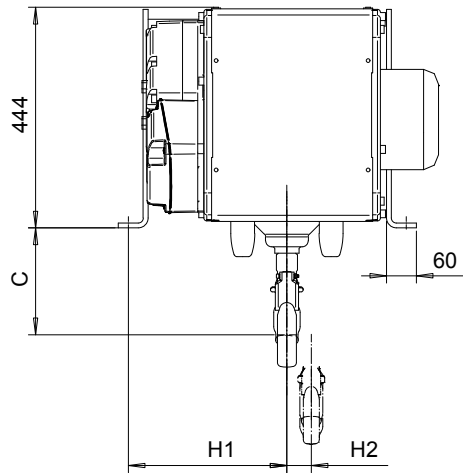


FOOT MOUNT, 4 PART SINGLE
Hoist type:
SX4 041...F0

SI-60Hz



Headroom - C dimension	
Standard	215 mm
with HS22 Hook operated limit switch	455 mm

Motor	P3	P4	A3	S3	S5
MOT (mm)	476	574	446	526	602
Weight (kg)	35	53	32	28	53

HOL	Length	M1	M2	H1	H2	R	Approx Weight
(m)	code	(mm)	(mm)	(mm)	(mm)	(mm)	(kg)
6	B	356	153	239	49	560	195
9	C	456	53	139	73	560	205
12	D	556	53	139	97	780	220
15	E	676	53	139	127	780	240

Load	Class
(kg)	Fem/ISO
3200	3m/M6
4000	3m/M6
5000	2m/M5

Approx. weight calculated with P3 motor.

This document is the absolute property of R&M Materials Handling, Inc. This document must not be copied without the written permission of R&M Materials Handling, Inc. The contents thereof must not be disclosed to a third party nor be used for any unauthorized purpose. Contravention will be prosecuted.

CSDPAL Design	CSDPAL Chd	Appd	Ref Drawing	QB-F-04
2002-08-27 Date	HOIST; FIXED			1:6.5 Folder
SLEIENG1 Owner Dept	4 ROPE FALLS			
R&M MATERIALS HANDLING INC.	R&M MATERIALS HANDLING, INC. HOIST & CRANE PRODUCTS SPRINGFIELD, OHIO			Issue 6
D002091-A				