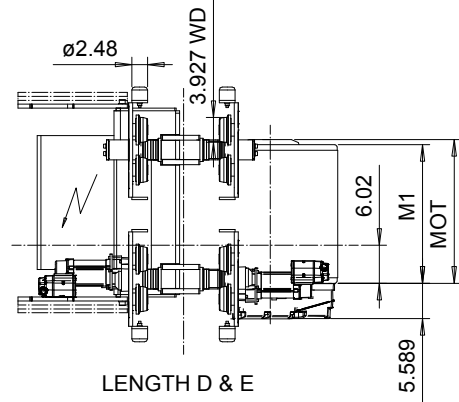
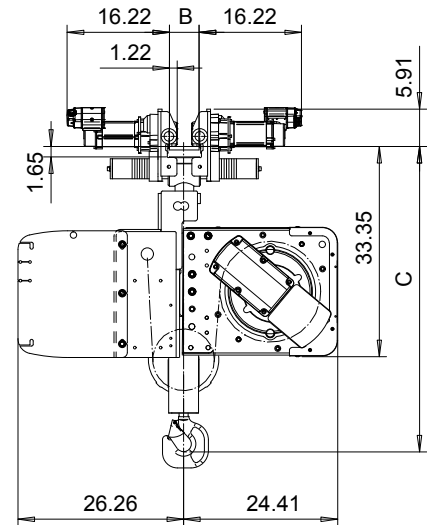
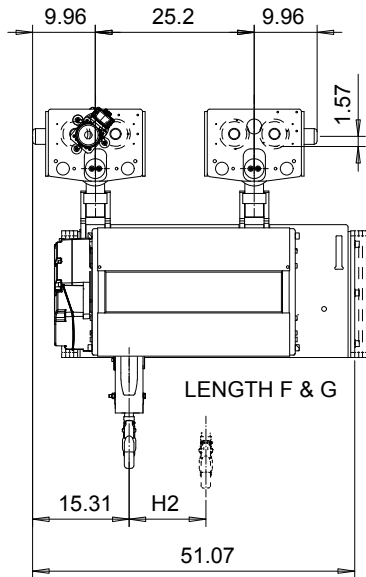
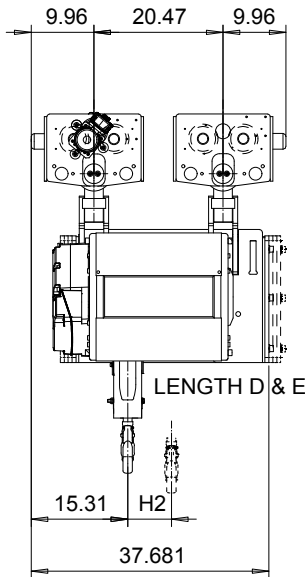


NORMAL HEADROOM, CURVED TRACK, 2 PART SINGLE

Hoist type:

US-60Hz

SX5 021...N0



TRACK RADIUS	
Flange, B (inch)	R min
3.54 - 4.29	8'-2 7/16"
4.33 - 4.67	6'-6 3/4"
4.72 - 13.78	4'-11 1/16"

Load (ton)	Class ASME
4	H4+
5	H4

Motor	P5	P6	P7	A5	S5	S7
MOT (in)	22.76	22.76	24.33	19.61	23.86	29.8
Weight (lb)	128	187	231	99	117	179

HOL (ft)	Length code	H2 (inch)	M1 (inch)	Approx Weight (lb)
59'-0"	D	6.92	21.97	1786
78'-8"	E	9.25	26.69	1918
104'-11"	F	12.16	32.6	2072
131'-2"	G	15.86	40.09	2205

Headroom - C dimension	
Standard	48.43"
with HS22 Hook operated limit switch	53.2"

Approx. Weight calculated with P5 motor.

This document is the absolute property of R&M Materials Handling, Inc. This document must not be copied without the written permission of R&M Materials Handling, Inc. The contents thereof must not be disclosed to a third party nor be used for any unauthorized purpose. Contravention will be prosecuted.

ETVPH Design	ETVPH Chd	Appd	Ref Drawing	QC-N-02
2005-06-20 Date	TROLLEY; NORMAL HEADROOM			1:13
SLEQDQCV Owner Dept	CURVED TRACK, 2 ROPE FALLS			Folder
R&M MATERIALS HANDLING INC.	R&M MATERIALS HANDLING, INC. HOIST & CRANE PRODUCTS SPRINGFIELD, OHIO	D004135-A		Issue 4