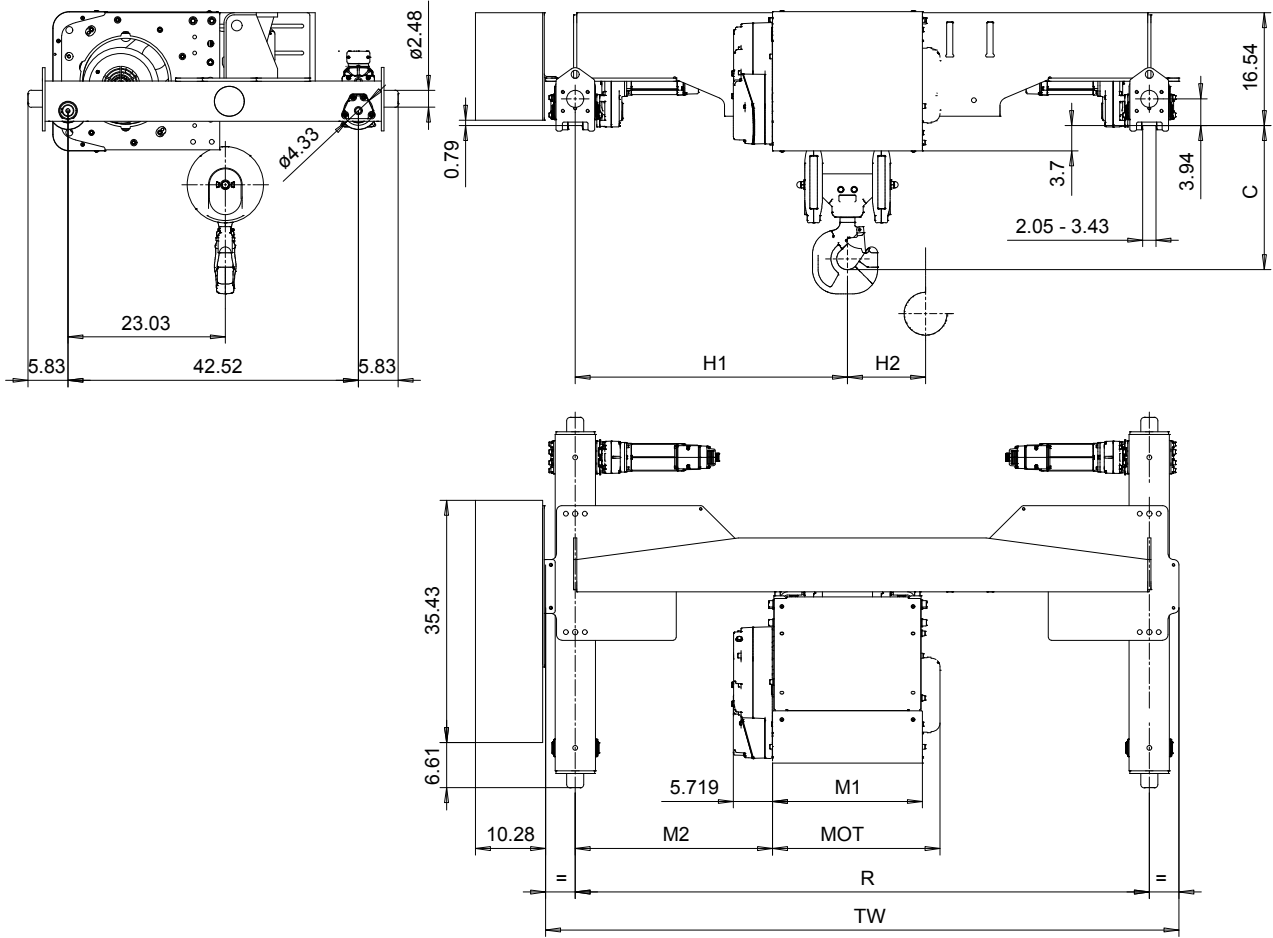


DOUBLE GIRDER, ADJUSTABLE LOAD BEAM, 4 PART SINGLE
 Hoist type:
 SX5 041...D0

US-60Hz



Load (ton)	Class ASME
5	H4+
6	H4+
7 1/2	H4+
10	H4

Motor	P5	P6	P7	A5	S5	S7
MOT (in)	22.76	22.76	24.33	19.61	23.86	29.8
Weight (lb)	128	187	231	99	117	179

HOL (ft)	Length code	M1 (inch)	M2 (inch)	H1 (inch)	H2 (inch)	TW (inch)	Min R	Max R	Approx Weight (lb)
29'-6"	D	21.97	16.85	27.83	3.46	92.68	5'-0"	7'-0"	1477
39'-4"	E	26.69	16.85	27.83	4.64	92.68	5'-0"	7'-0"	1543
52'-5"	F	32.6	16.85	27.83	6.14	92.68	5'-0"	7'-0"	1642

Headroom - C dimension	
Standard	16.6"
with HS22 Hook operated limit switch	18.6"

Note: H1 and M2 are calculated from Min R.
 Special rail gauges from 5'-0" to 7'-0"
 Approx weight calculated with P5 motor

This document is the absolute property of R&M Materials Handling, Inc. This document must not be copied without the written permission of R&M Materials Handling, Inc. The contents thereof must not be disclosed to a third party nor be used for any unauthorized purpose. Contravention will be prosecuted.

ETTPAL Design	ETTPAL Chd	Appd	Ref Drawing	QC-ALB-04
2018-05-12 Date	TROLLEY; DOUBLE GIRDER			1:12
SLEQDQCV Owner Dept	ADJUSTABLE LOAD BEAM, 4 ROPE FALLS			Folder
R&M MATERIALS HANDLING INC.	R&M MATERIALS HANDLING, INC. HOIST & CRANE PRODUCTS SPRINGFIELD, OHIO	D53723434-vxp1-1		Issue 1