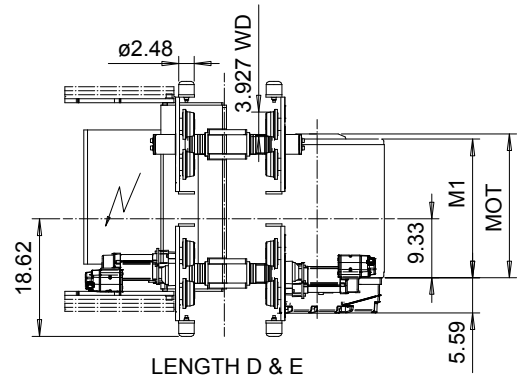
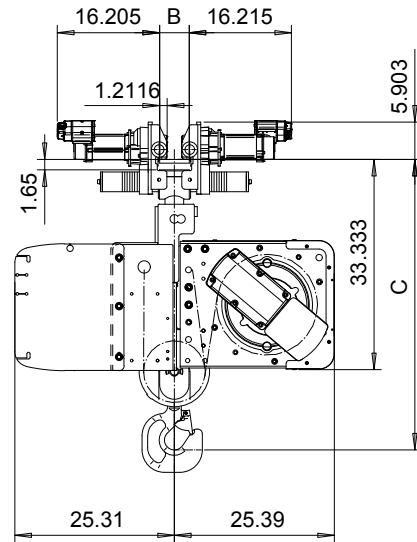
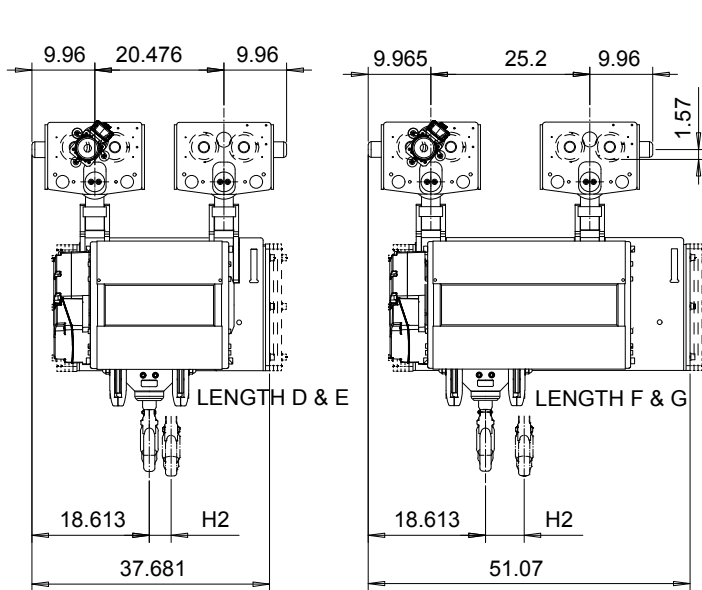


NORMAL HEADROOM, CURVED TRACK, 4 PART SINGLE

Hoist type:

SX5 041...N0

US-60Hz



| Load (ton) | Class ASME |
|------------|------------|
| 5 | H4+ |
| 6 | H4+ |
| 7 1/2 | H4+ |
| 10 | H4 |

| TRACK RADIUS | |
|------------------|-------------|
| Flange, B (inch) | R min |
| 3.54 - 4.29 | 8'-2 7/16" |
| 4.33 - 4.67 | 6'-6 3/4" |
| 4.72 - 13.78 | 4'-11 1/16" |

| Motor | P5 | P6 | P7 | A5 | S5 | S7 |
|-------------|-------|-------|-------|-------|-------|------|
| MOT (in) | 22.76 | 22.76 | 24.33 | 19.61 | 23.86 | 29.8 |
| Weight (lb) | 128 | 187 | 231 | 99 | 117 | 179 |

| HOL (ft) | Length code | M1 (inch) | H2 (inch) | Approx Weight (lb) |
|----------|-------------|-----------|-----------|--------------------|
| 29'-6" | D | 21.97 | 3.46 | 1940 |
| 39'-4" | E | 26.69 | 4.64 | 2050 |
| 52'-5" | F | 32.6 | 6.14 | 2205 |
| 65'-7" | G | 45.55 | 8.03 | 2403 |

| Headroom - C dimension | |
|--------------------------------------|--------|
| Standard | 46.06" |
| with HS22 Hook operated limit switch | 50.8" |

Approx. Weight calculated with P5 motor.

This document is the absolute property of R&M Materials Handling, Inc. This document must not be copied without the written permission of R&M Materials Handling, Inc. The contents thereof must not be disclosed to a third party nor be used for any unauthorized purpose. Contravention will be prosecuted.

| | | | | |
|--------------------------------------|--|-----------|-------------|------------|
| ETVPH Design | ETVPH Chd | Appd | Ref Drawing | QC-N-04 |
| 2005-06-20 Date | TROLLEY; NORMAL HEADROOM | | | 1:13 |
| SLEQDQCV Owner Dept | CURVED TRACK, 4 ROPE FALLS | | | Folder |
| R&M MATERIALS HANDLING INC. | R&M MATERIALS HANDLING, INC HOIST & CRANE PRODUCTS SPRINGFIELD, OHIO | D004136-A | | Issue 4 |