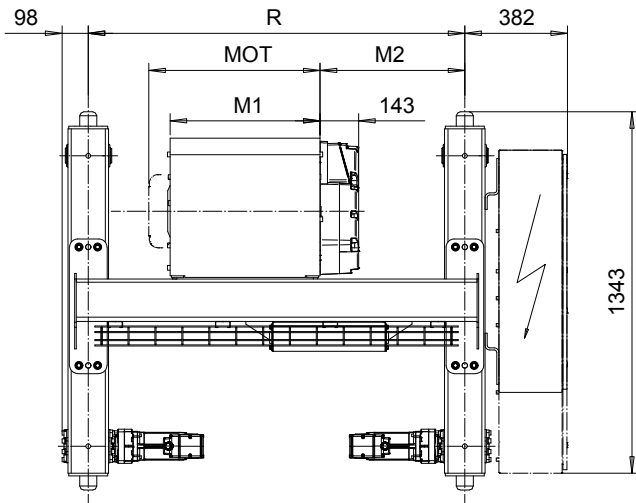
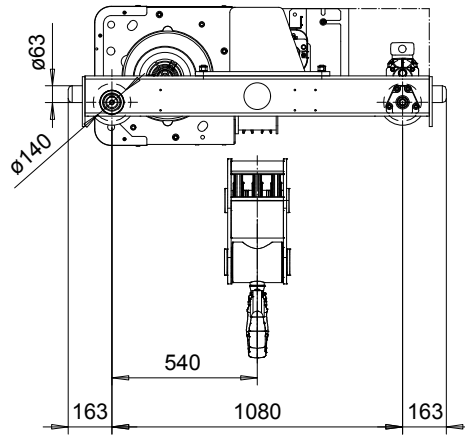
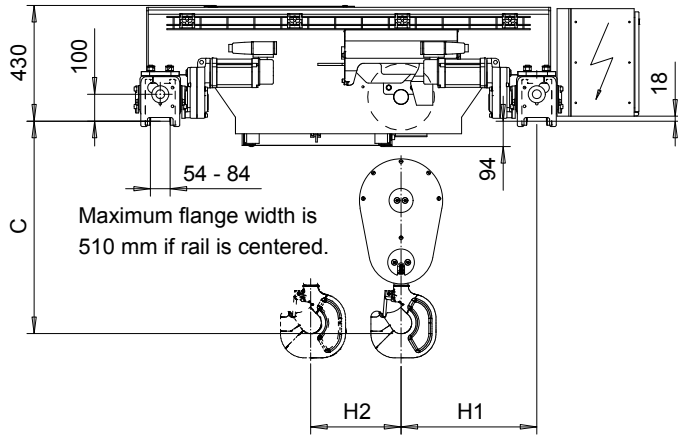


DOUBLE GIRDER, MEDIUM, 6 PART SINGLE
Hoist type:
SX5 061...D0

SI-60Hz



Headroom - C dimension	
Standard	790 mm
with HS22 Hook operated limit switch	840 mm

Motor	P5	P6	P7	A5	S5	S7
MOT (mm)	578	578	618	498	606	757
Weight (kg)	58	85	105	45	53	81

Load (kg)	Class
12000	3m/M6
15000	2m/M5

HOL (m)	Length code	M1 (mm)	M2 (mm)	R (mm)	H1 (mm)	H2 (mm)	Approx. Weight (kg)
6	D	558	538	1400	505	53	760
8	E	678	758	1700	725	78	805
10	F	828	913	2000	880	98	850
13	G	1018	1123	2400	1090	132	915

Note:

R is standard gauge, minimum gauge for second brake or service platform

Standard rail gauge increments: 1400, 1700, 2000, and 2400 mm

Approx. Weight calculated with P5 motor.

This document is the absolute property of R&M Materials Handling, Inc. This document must not be copied without the written permission of R&M Materials Handling, Inc. The contents thereof must not be disclosed to a third party nor be used for any unauthorized purpose. Contravention will be prosecuted.

ETTPAL Design 2002-08-30 Date	ETTPAL Cnd	Appt	Ref Drawing	QC-M-06
SLEQDQCV Owner/Design	TROLLEY; DOUBLE GIRDER MEDIUM, 6 ROPE FALLS			1:12 Folder
R&M MATERIALS HANDLING INC.	R&M MATERIALS HANDLING, INC. HOIST & CRANE PRODUCTS SPRINGFIELD, OHIO	D007194-A		Issue 2