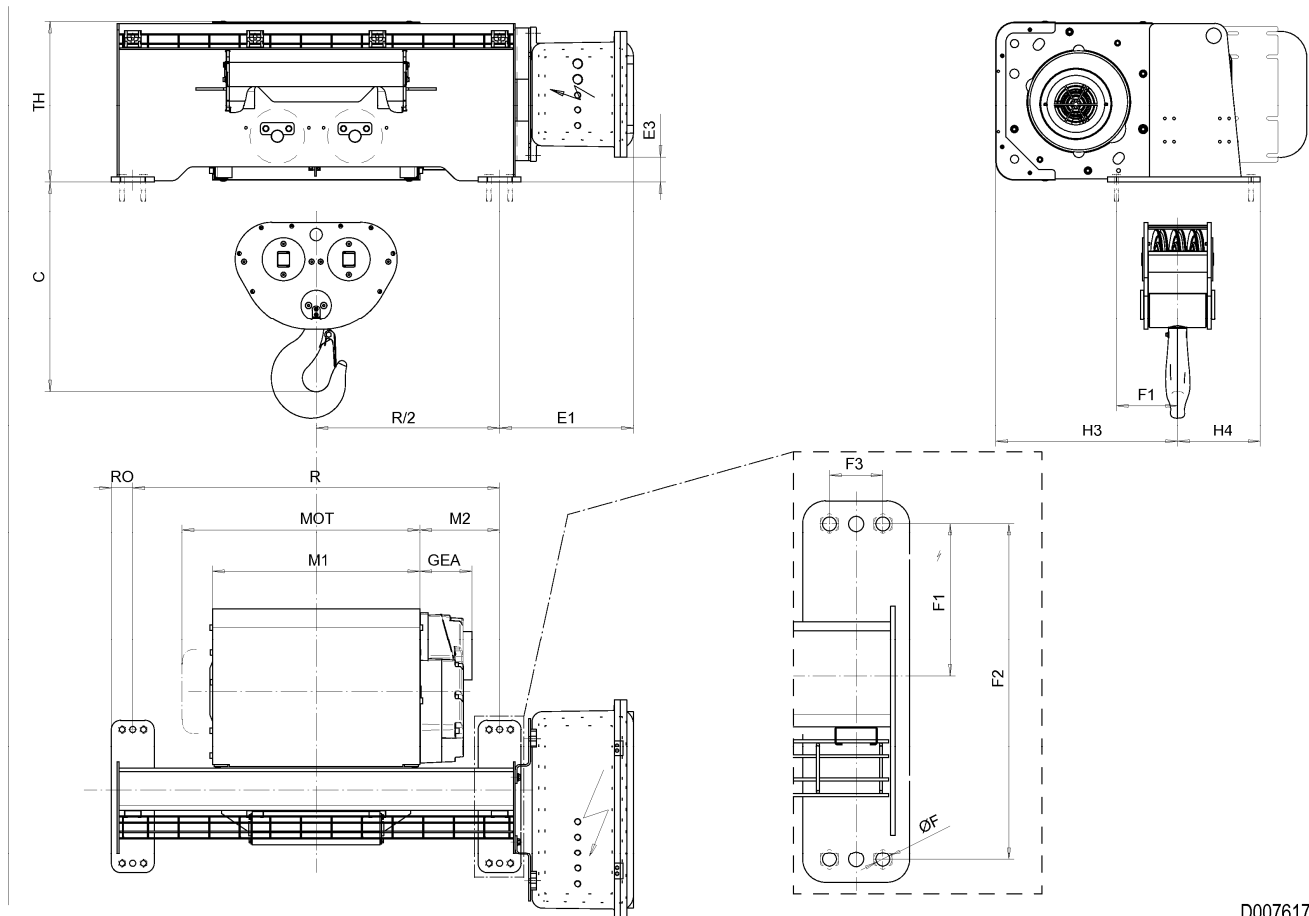


Fixed Hoist EXSX5, REEVING: 062; Class I, Division 2



D007617-A

Hoist dimensions

HOL ft	Length code	M1 inch	M2 inch	Min R inch	H3 inch	H3* inch	Weight lb
13'-1"	E	26.69	10.28	47.24	23.43	24.21	1868
19'-8"	F	32.6	7.32	47.24	23.43	24.21	1938
26'-3"	G	40.08	3.58	47.24	23.43	24.21	2106
36'-1"	H	49.92	8.5	66.93	23.43	24.21	2225
49'-3"	J	63.7	7.52	78.74	23.43	24.21	2434

Motor dimensions

Motor	P5	P6
MOT (inch)	22.76	22.76
Weight (lb)	128	187

Trolley dimensions

C	ØF	E1	E3	F1	F2	F3	GEA	H4	RO	TH	
27.09	0.71	17.23	3.19	7.87	17.32	2.76	6.69	10.63	2.76	20.75	

D007617_A

252822

Note: All dimensions in inch.

Note: Weight calculated with P5 motor.

Note: M2 and weight calculated with Min R.

Note: Standard rail gauges: 47.2, 66.9 and 78.7.

* Please, disregard the dimension H3*.