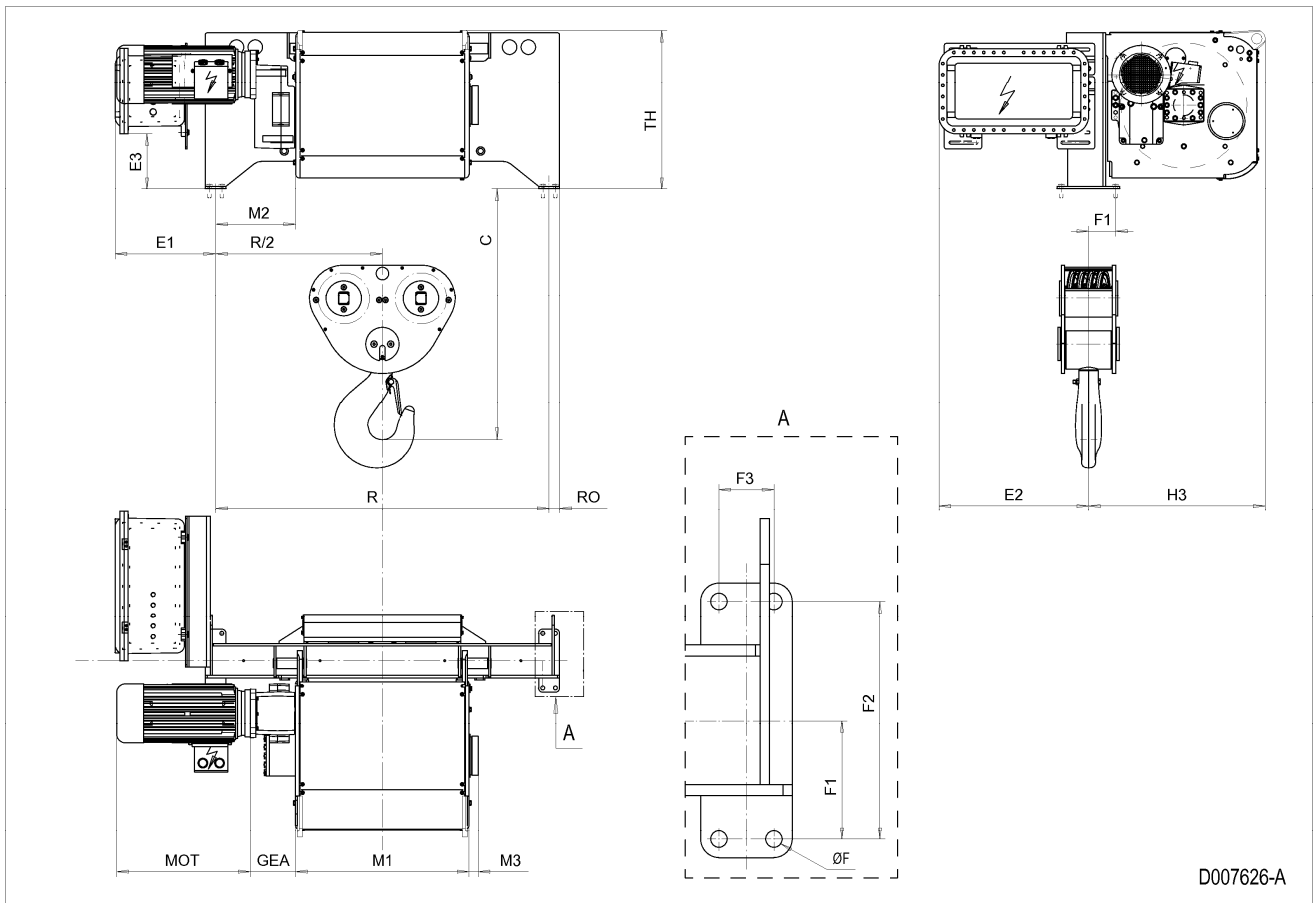


Fixed Hoist EXSX6, REEVING: 082; Class I, Division 2



D007626-A

HOL ft	HOL* ft	Length code	R inch	M1 inch	M3 inch	Weight** lb
16'-5"	N/A	F	62.99	32.76	15.12	3749
22'-12"	18'-1"	G	62.99	40.24	11.38	3749
31'-2"	26'-3"	H	86.61	50.08	18.27	4190
41'-0"	36'-1"	J	86.61	63.86	11.38	4631
50'-10"	45'-11"	K	88.19	75.67	6.46	4851
62'-4"	57'-5"	L	88.19	89.45	-0.39	5292
70'-6"	65'-7"	M	109.84	99.29	5.47	5733
80'-5"	75'-6"	N	109.84	111.1	-0.39	5954

*HOL with drum brake

**Presence of a drum brake increases weight by 176 lbs.

Motor dimensions

Motor	P6
MOT (inch)	21.1
Weight (lb)	190

Trolley dimensions

C	ØF	E1	E2	E3	F1	F2	F3	GEA	H3	M3	RO
47.48	0.71	18.97	28.25	10.59	5.1	10.24	2.36	8.58	33.35	1.73	1.97
TH											
30.24											

D007626_A
252836

Note: Weight calculated with P6 motor.

Note: All dimensions in inch.