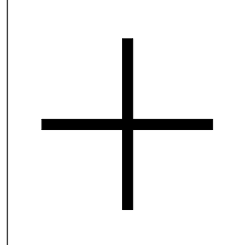


VIEW A-A

SPECIFY NORTH



TECHNICAL DATA

LOAD	: 10 TON
SPAN	: 37'-0"
LIFTING HEIGHT	: 29'-6 5/16"
HOISTING SPEED	: 20.0/3.3 ft/min 2-speed
TRAVERSING SPEED	: 65 ft/min stepless
TRAVELLING SPEED	: 100 ft/min stepless
WEIGHT OF TROLLEY	: 1400 lbs
WEIGHT OF BRIDGE	: 6182 lbs
MAIN/CONTROL VOLTAGE	: 460 / 115 V, 60 Hz
CRANE GROUP	: C
HOIST GROUP	: ASME H4
CRANE DRIVE GROUP	: CMAA C
SUPPLY POWER	: 17.13 Hp
LENGTH OF RUNWAY	: 0

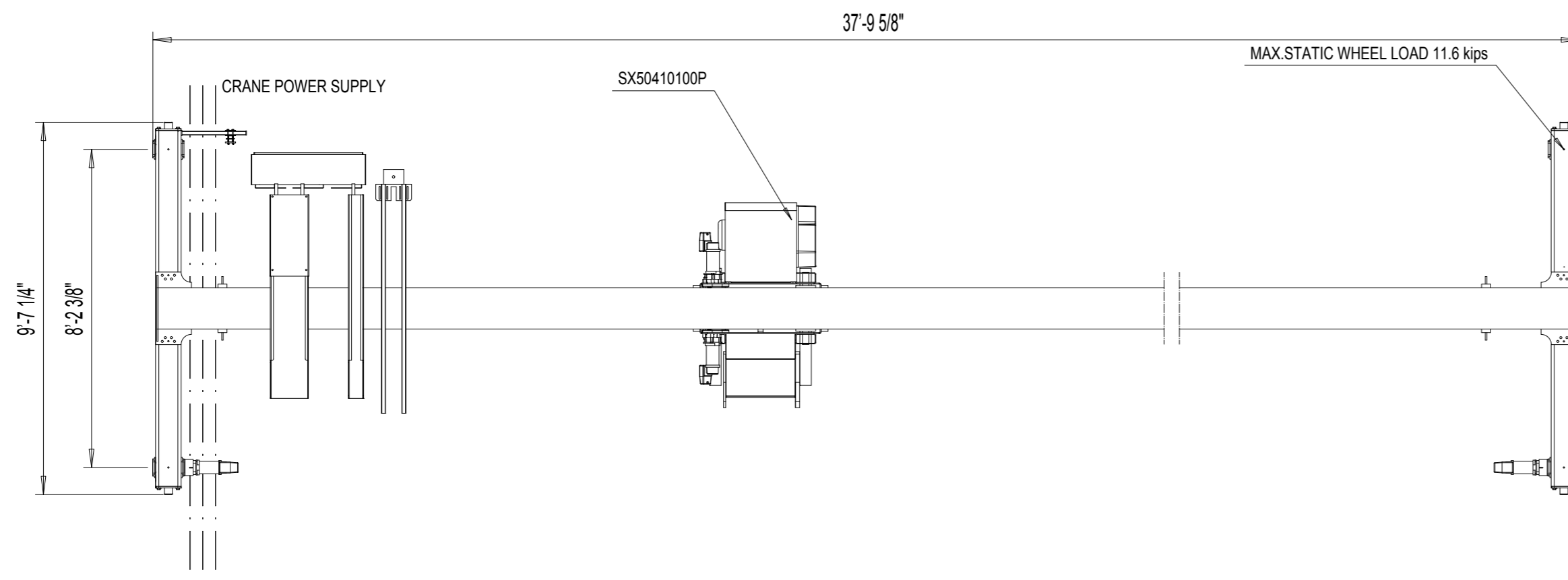
SURFACE TREATMENT OF CRANE

BRIDGE COLOR	: Safety Yellow
PAINT	: A/127 μm

CUSTOMER ORGANIZES SAFE PLATFORM FOR CRANE SERVICE

Indoor Use crane

Radio controlled crane



ACCEPTED BY:

Pos	Amount	Description	Specification
Design	GBE/RMS		DAS /2.66.9
Date	03/27/2015		Vx.proj
Dept	Regional Sales Office Canada		
COMPANY:		QXSk10-TON x 37ft HoI:29.53ft	1:40
DATE:		US-RXCP10T37-O	M-film
			Issue
			08.28